



## SBMA SERIES RF CONNECTOR

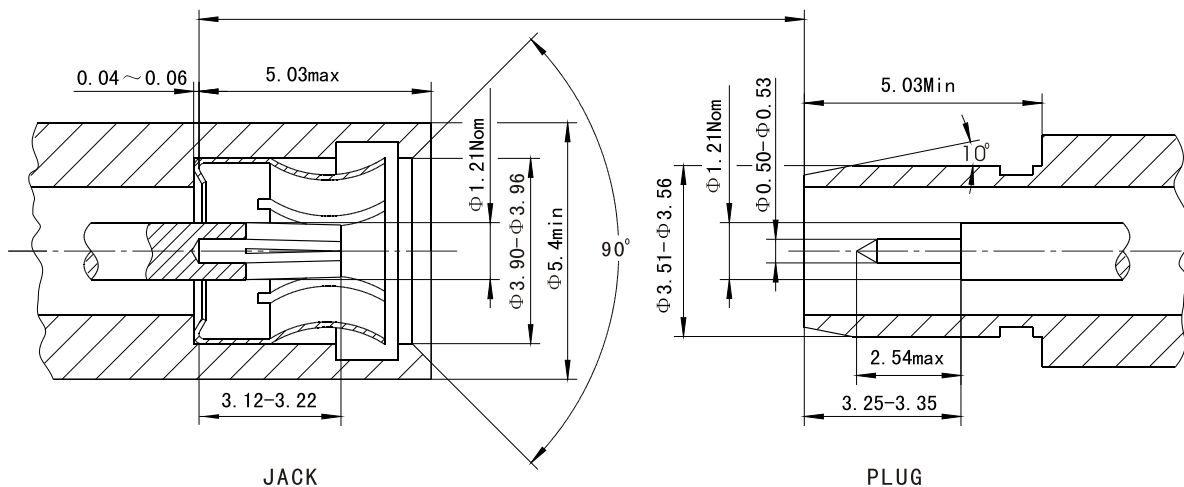


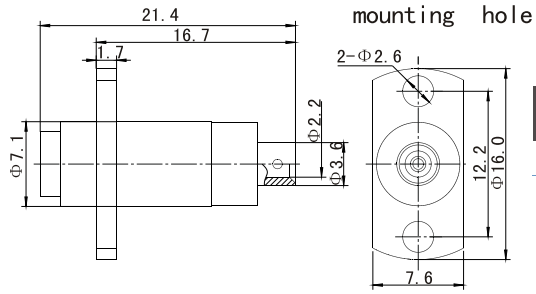
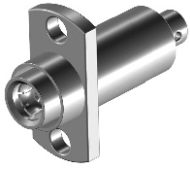
Series SBMA coaxial connectors are type of low transmission and blind mating connectors, which have the advantages of small, high reliability and are smaller than BMA connectors. The products are used in radar, communication systems, etc.

Key performance:	Material:
Characteristic Impedance : 50 Ω	Center contact:
Frequency range : DC~28GHz	Male: phosphor bronze, gold plated.
Contact resistance:	Female: beryllium copper, gold plated.
Center contact resistance : ≤ 8.0mΩ	Bodies and other metal parts:
Out contact resistance ≤ 3.0mΩ	brass, gold plated.
Insulation resistance : ≥ 5000MΩ	Insulators: PTFE.
Dielectric voltage withstanding : 675V	Crimp ferrule: copper, nickel plated.
Mating cycles: ≥ 500	Gasket and seal rings: silicone rubber.

**Applicable standard: MIL-C-39012**

### Interface Dimensions Reference Plane



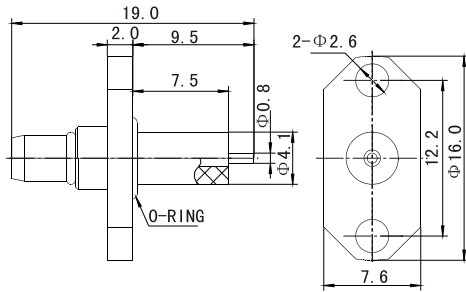
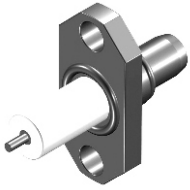


mounting hole

Type

Note

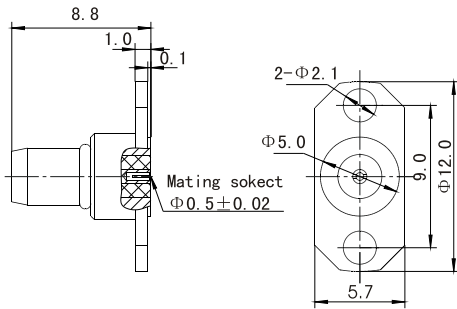
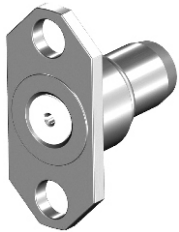
SBMA-KFB2A



Type

Note

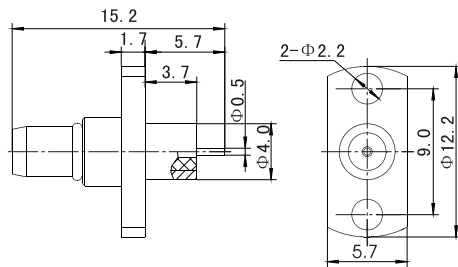
SBMA-JFD3G



Type

Note

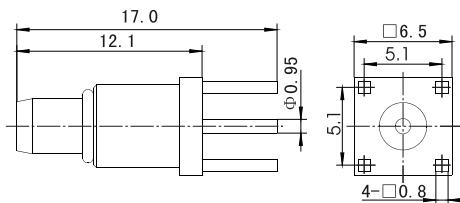
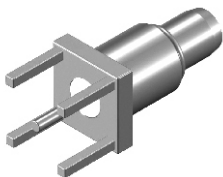
SBMA-JFD5G



Type

Note

SBMA-JFD8G



Type

Note

SBMA-JHD5