

## FC Series Optical Connector & Adapter

### Product brief introduction

- Standard metallic parts with excellent interchangeability
- Ceramic ferrule, PC, UPC & APC polishing
- Available to OFNR cable or LSZH cable
- Cable OD:  $\phi 0.9$ ,  $\phi 2$ ,  $\phi 3$
- One-piece metallic body design, ceramic sleeve, low insertion loss
- Standard: YD/T1272.4, IEC61754-13, IEC874-7

### Applications

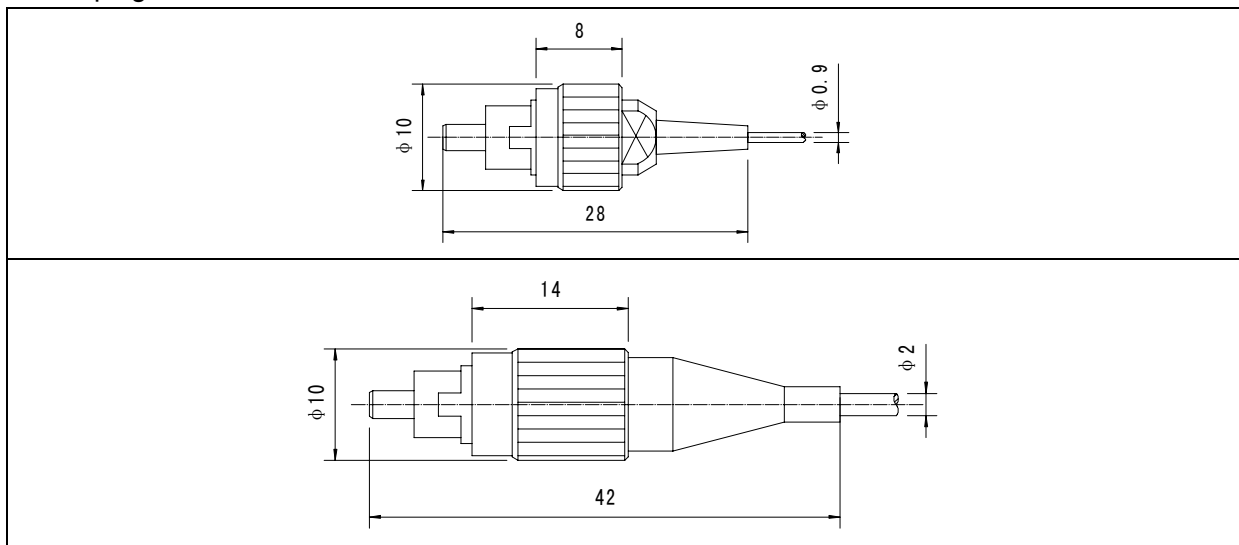
- Optical fiber communication network
- Optical CATV
- Optical LAN
- Instruments and meters

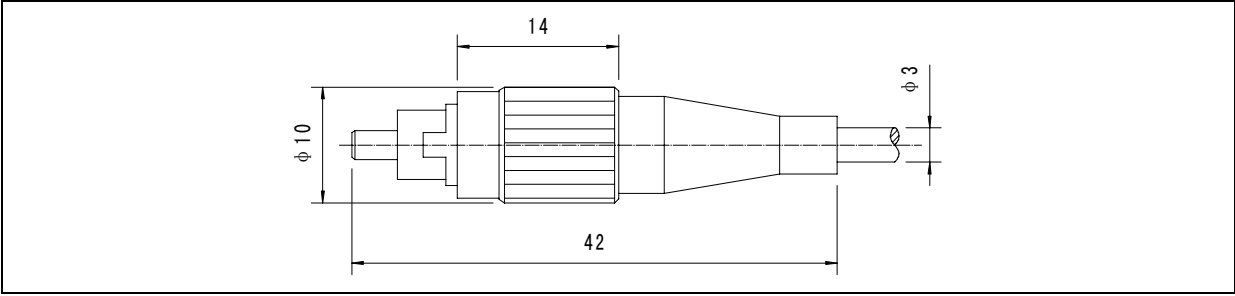
### Performances

Parameters	plug				Adapter
	SM			MM	
	PC	UPC	APC	PC	
Return Loss (dB)	$\geq 45$	$\geq 50$	$\geq 60$	$\geq 35$	/
Insertion Loss (dB)	$\leq 0.2$ (typical), $\leq 0.3$ (Max)				$\leq 0.1$ (typical)
Repeatability (dB)	$\leq 0.1$				/
Durability (cycles)	$\geq 1,000$				$\geq 1,000$
Operating Temp. ( $^{\circ}\text{C}$ )	$-40 \sim +85$				$-40 \sim +85$
Tensile strength (N)	$\geq 90(\phi 3)$ , $\geq 70(\phi 2)$ , not required for $\phi 0.9$ product				/

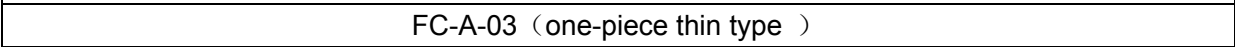
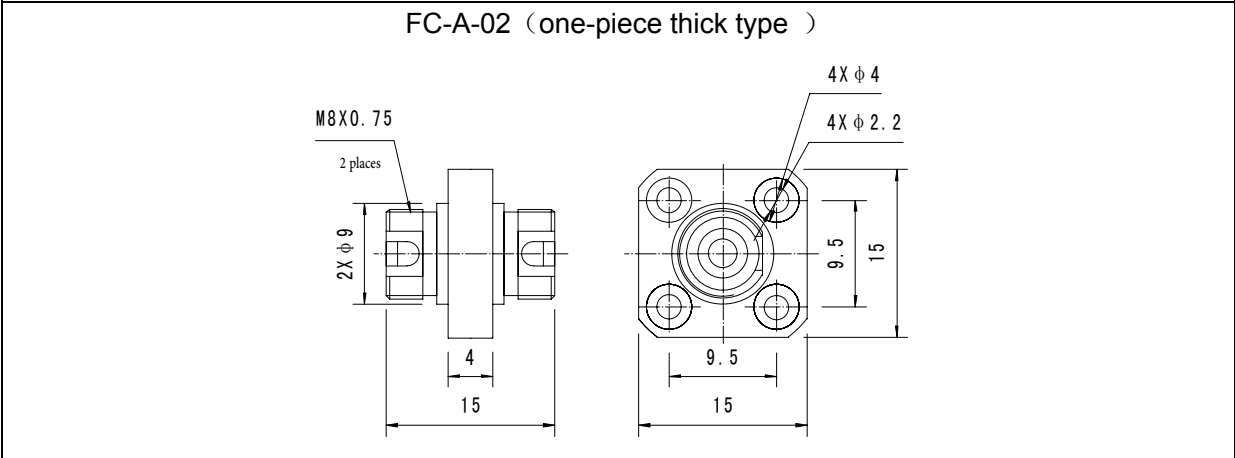
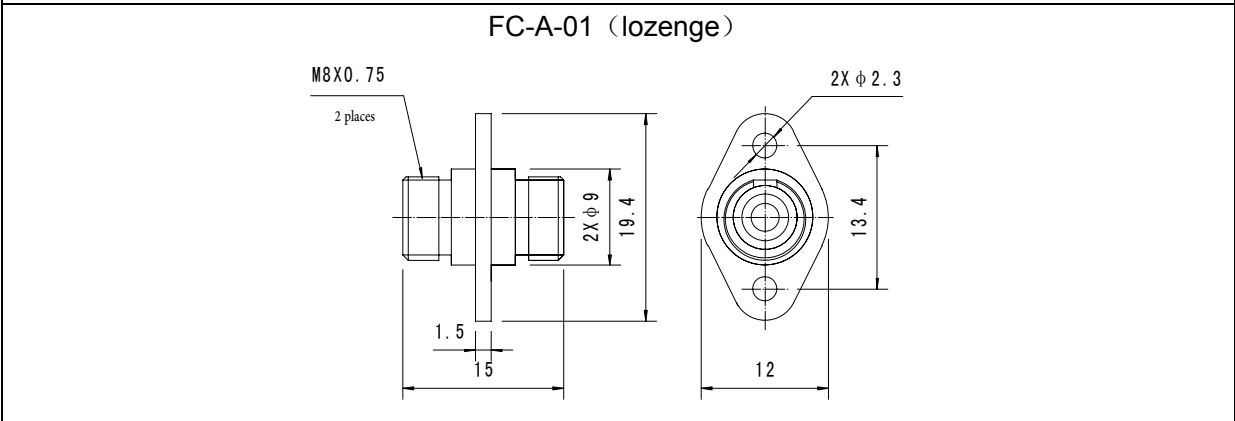
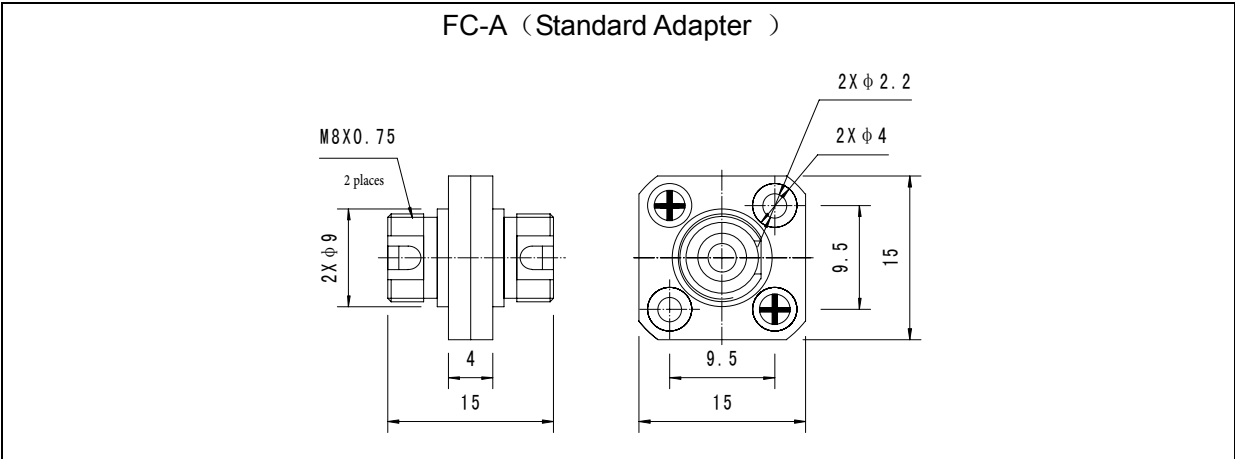
### Outline dimensions

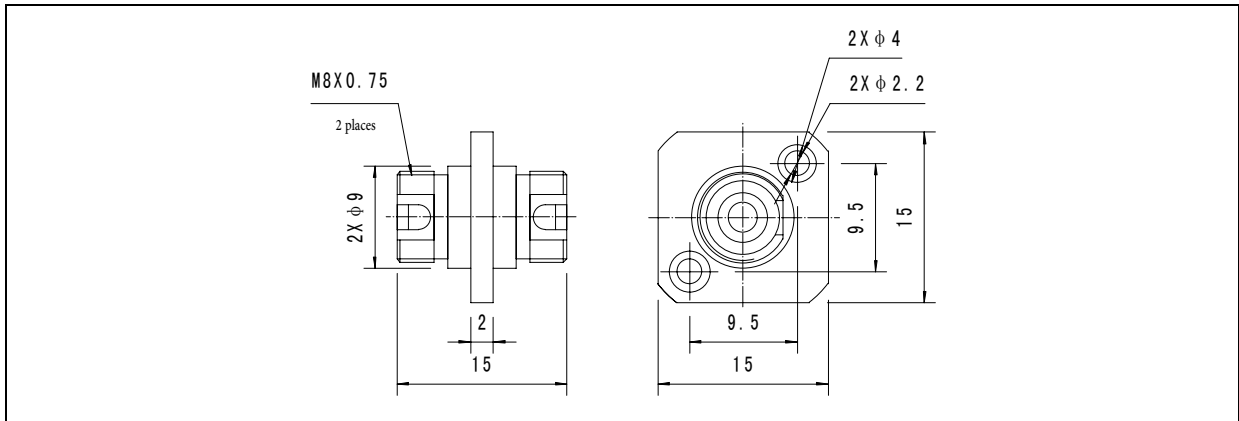
[FC plug]



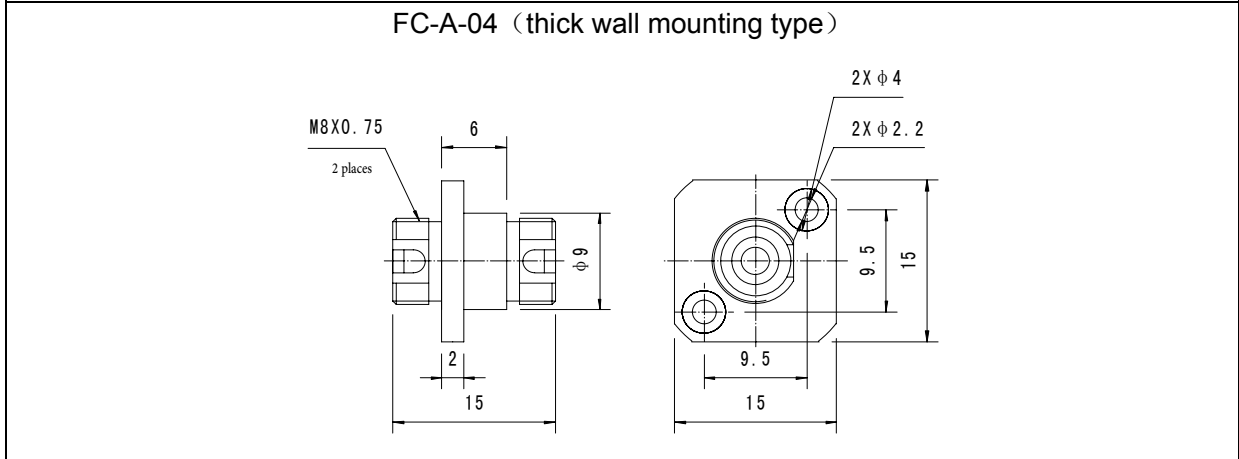


[ FC Adapter ]

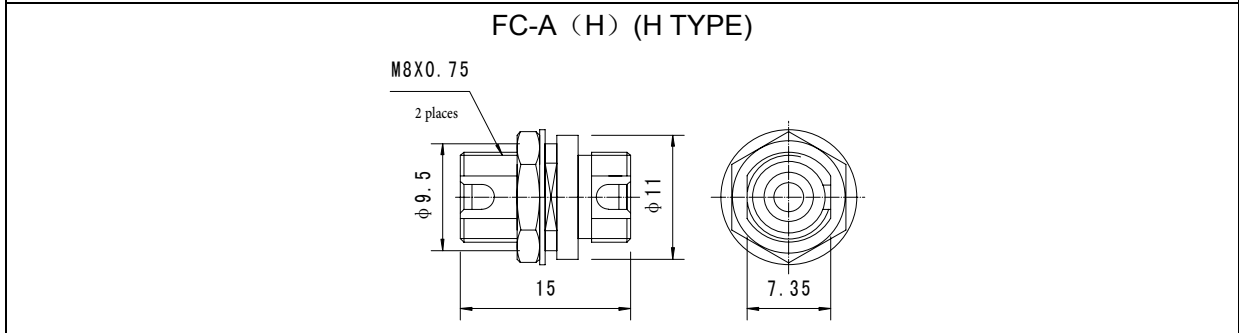




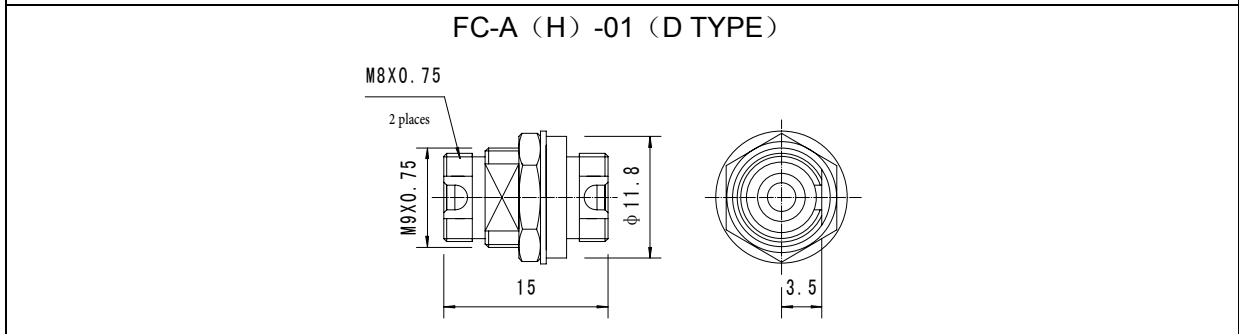
**FC-A-04 (thick wall mounting type)**



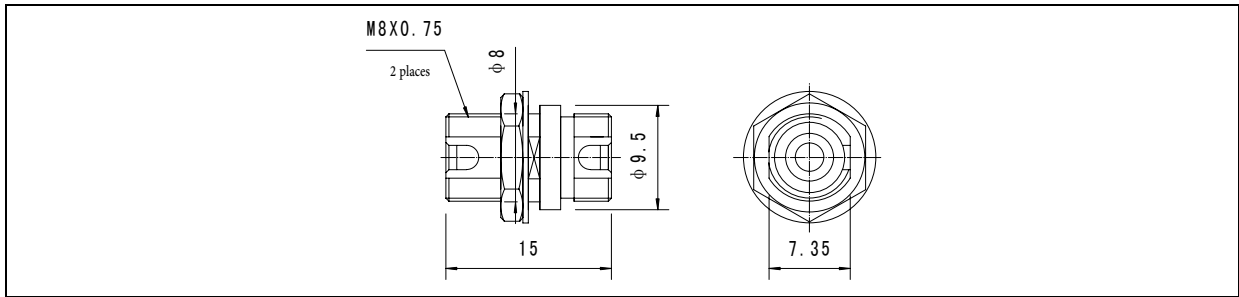
**FC-A (H) (H TYPE)**



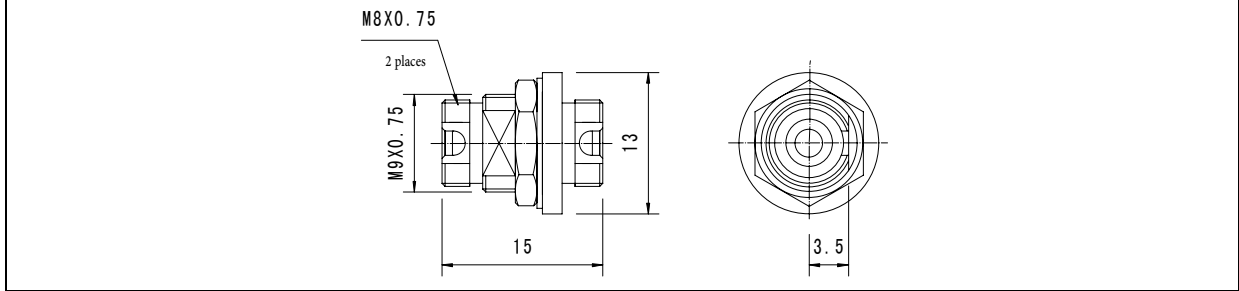
**FC-A (H) -01 (D TYPE)**



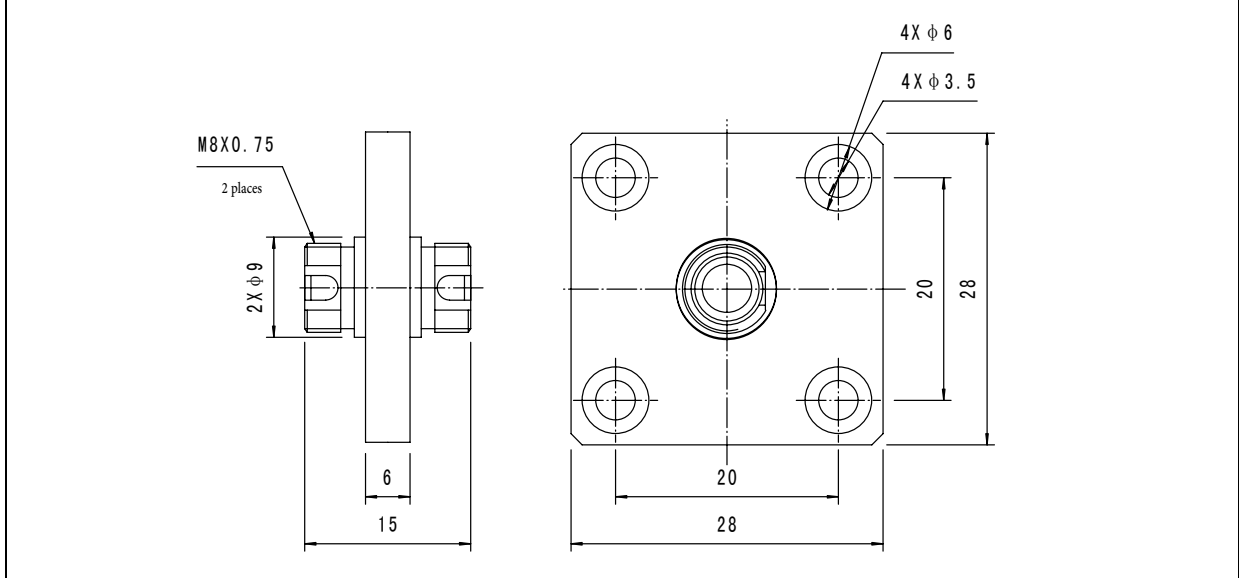
**FC-A (H) -02 (Small H TYPE)**



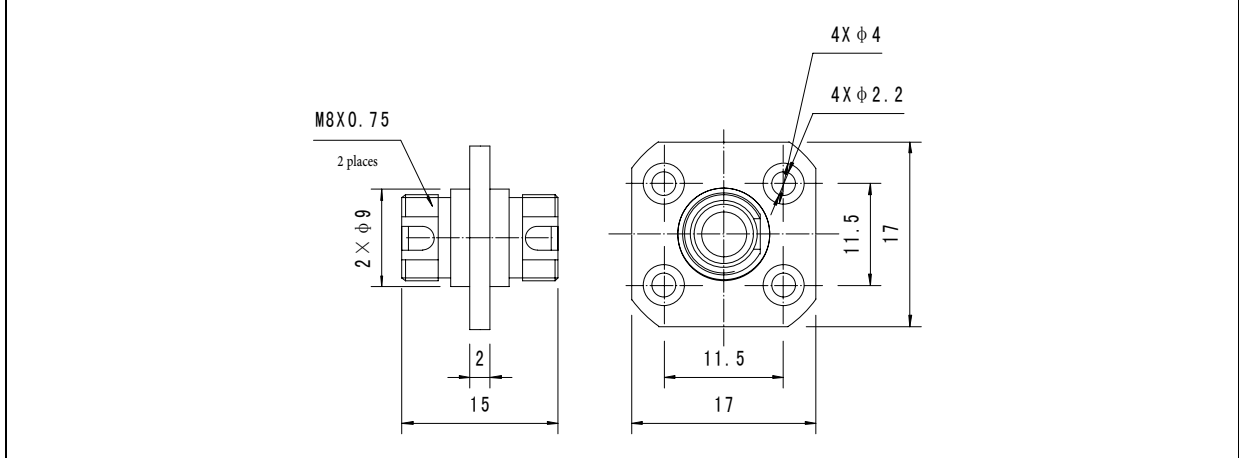
**FC-A (H) -03 (D TYPE)**



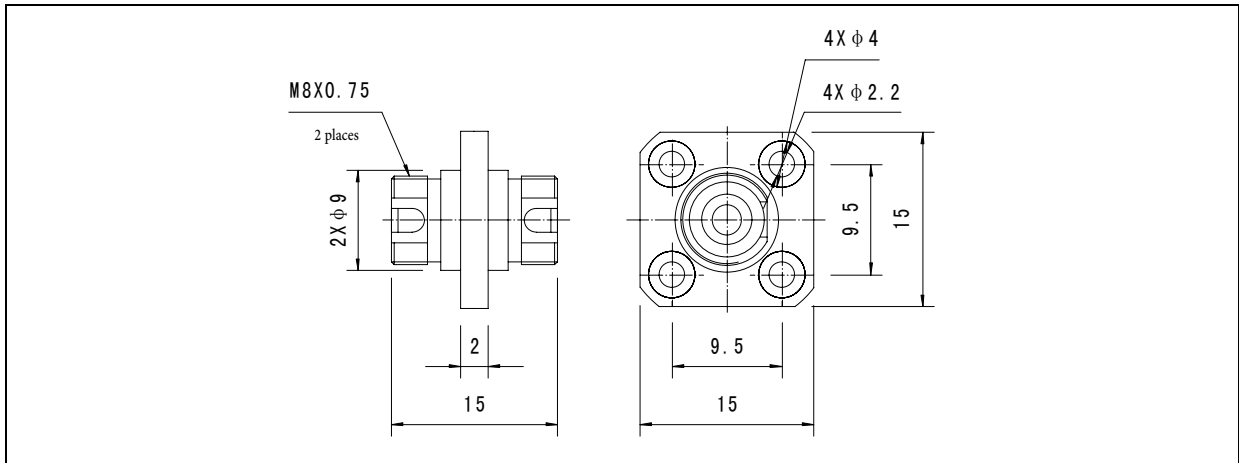
**FC-A-05**



**FC-A-06**



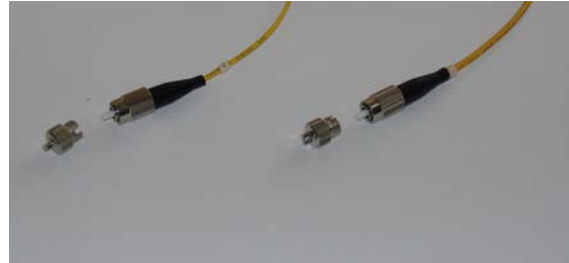
**FC-A-07**



## FCS Optic connectors

### Product brief introduction

- FC improved type with IP67 protection
- Metallic dust covers
- Standard metallic parts with excellent interchangeability
- Ceramic ferrule, PC, UPC & APC polishing
- Available to OFNR cable or LSZH cable
- Cable OD:  $\phi 2$ ,  $\phi 3$
- Standard: YD/T1272.4, IEC61754-13, IEC874-7



### Applications

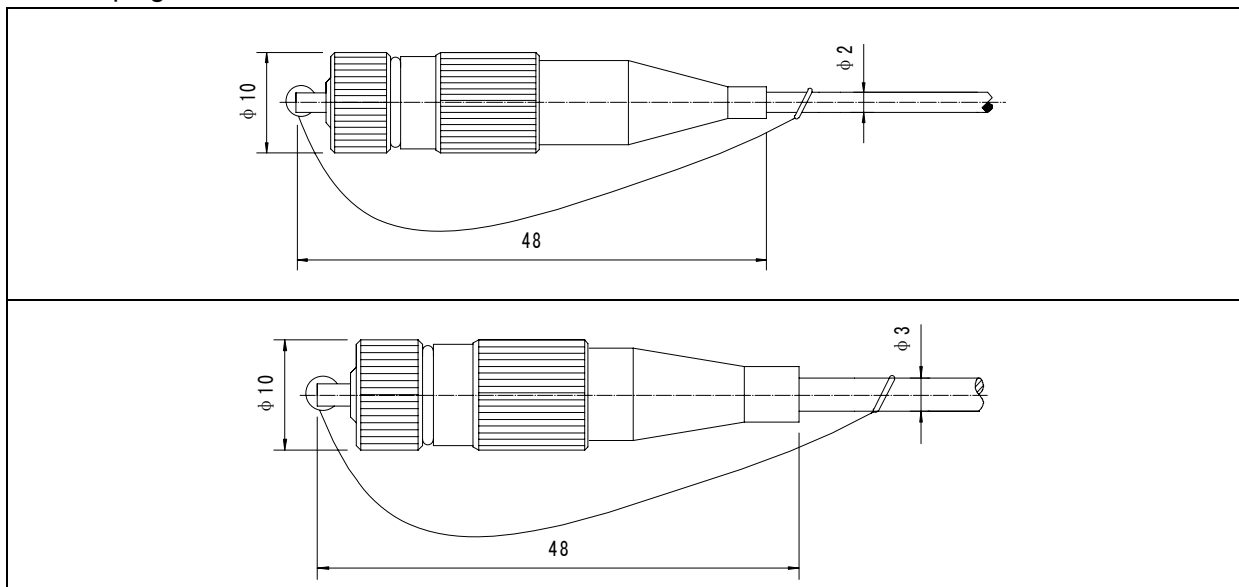
- Optical fiber communication networks
- Optical CATV
- Optical LAN
- Instruments and meters

### Performances

Parameters	plug			
	SM (SM)			MM (MM)
	PC	UPC	APC	PC
Return Loss (dB)	$\geq 45$	$\geq 50$	$\geq 60$	$\geq 35$
Insertion Loss (dB)	$\leq 0.2$ (typical), $\leq 0.3$ (Max)			
Repeatability (dB)	$\leq 0.1$			
Durability (cycles)	$\geq 1,000$			
Operating Temperature ( $^{\circ}\text{C}$ )	$-40 \sim +85$			
Tensile strength (N)	$\geq 90(\phi 3)$ , $\geq 70(\phi 2)$ , not required for $\phi 0.9$ product			

### Outline dimensions

[FCS plug]



## FCS-A-01Adapter

### Product brief introduction

- Match with FCS series, IP67 protection
- Double-sealing rings connector
- One-piece metallic body design, ceramic sleeve, low insertion loss
- Standard: YD/T1272.4, IEC61754-13, IEC874-7

### Applications

- Various optic fiber telecommunication system
- optic fiber CATV
- optic fiber LAN
- Instruments

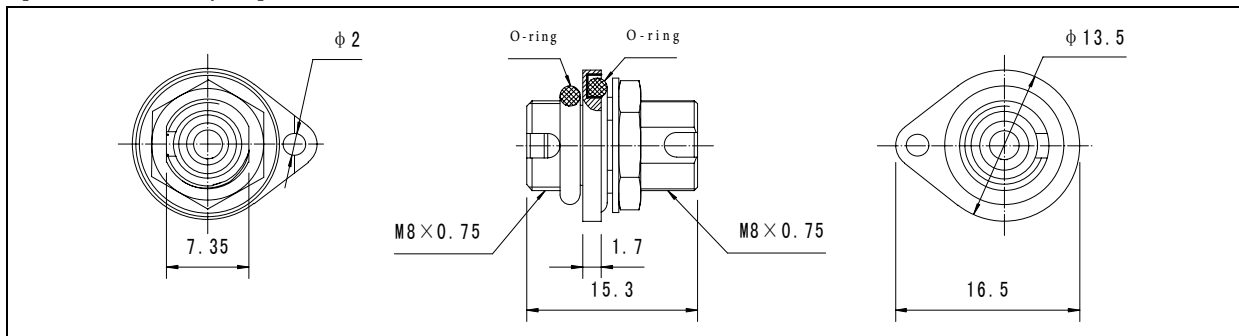


### Performances

Parameters	Performances
Return Loss (dB)	/
Insertion Loss (dB)	≤0.1 (typical)
Repeatability (dB)	/
Durability (cycles)	≥1,000
Operating Temperature (°C)	-40~+85
Tensile strength (N)	/

### Outline dimensions

[FCS-A-01 Adapter]



## FCM Optic connectors

### Product brief introduction

- Standard metallic parts with excellent interchangeability
- Ceramic ferrule, PC, UPC & APC polishing
- Available to OFNR cable or LSZH cable
- Standard FC port, right angle back shell
- Cable OD:  $\phi 3$
- Standard: YD/T1272.4, IEC61754-13, IEC874-7

### Applications

- Various optic fiber telecommunication system
- optic fiber CATV
- optic fiber LAN
- Instruments

### Performances

Parameters	plug			
	SM			MM
	PC	UPC	APC	PC
Return Loss (dB)	$\geq 45$	$\geq 50$	$\geq 60$	$\geq 35$
Insertion Loss (dB)	$\leq 0.2$ (typical), $\leq 0.3$ (Max)			
Repeatability (dB)	$\leq 0.1$			
Durability (cycles)	$\geq 1,000$			
Operating Temperature ( $^{\circ}\text{C}$ )	$-40 \sim +85$			
Tensile strength (N)	$\geq 90$			

### Outline dimensions

[FCM optic fiber plug]

