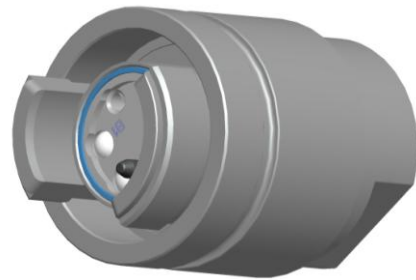


## EBC Series connector



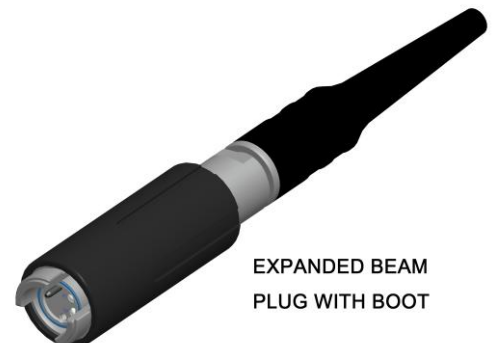
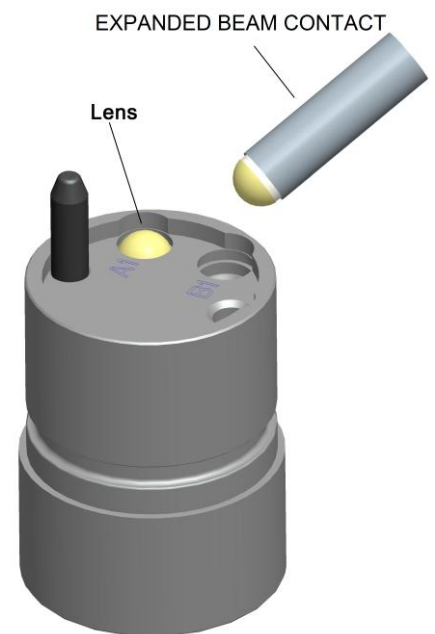
EBC2QMT



EBC2QMZ

### General Specifications

Insertion Loss ( dB )	$\leq 1.5\text{dB}(\text{SM } 1310/1550)$ $\leq 0.8\text{dB}(\text{MM } 850/1300)$
Return Loss(dB):	$\geq 34\text{dB}(\text{SM})$
Vibration	10Hz ~ 500Hz 98m/s <sup>2</sup>
Acceleration	980m/s <sup>2</sup> , 6ms
Durability	1000 Times
Working Temperature	-40°C ~ +70°C
Salt spray	48h
Waterproof	IP67



EXPANDED BEAM  
PLUG WITH BOOT

Others Comply with MIL-DTL-83526/21

## EBC Series connector

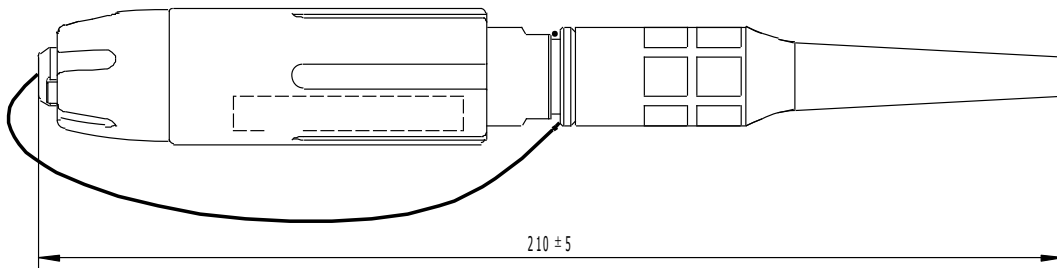


Fig.1 outline drawing of EBC Series plug

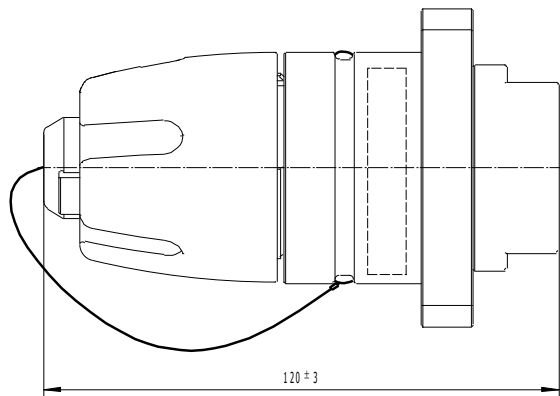


Fig.2 outline drawing of EBC Series receptacle

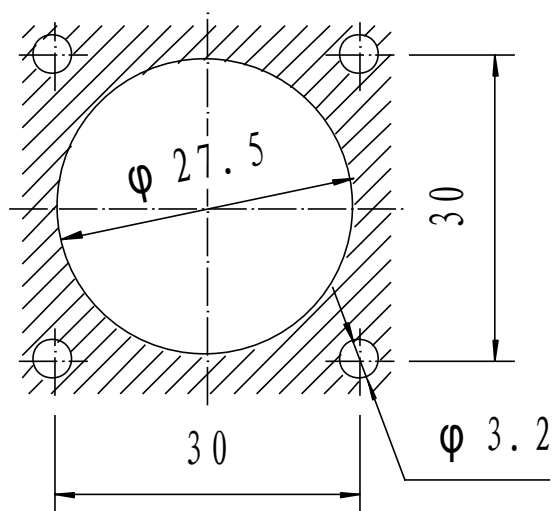


Fig.3 Recommend mounting