




CM series connectors

<p>1. Basic :</p> <ul style="list-style-type: none"> ● Name: <u> CM Series Connector </u> ● Plug Model: <u> CM/26MB02A1N (2 cores) </u> ● Receptacle : <u> CM /20MB02B1N (2 cores) </u> ● SM or MM: <u> SM or MM </u> ● Cores: <u> 2, 4, 6, 11, 19 or other </u> 	 <p>Stainless shell CM/20MB02B1N(2 cores)</p>
--	---

2、 Main Performance :

■Optical performance		
NO.	Item	Performance
1	Insert Loss	≤0.7dB
2	Return Loss	≥45dB&single mode ≥21dB&Multi-mode
■Environment performance		
NO.	Item	Performance
1	Operating Temperature	-55°C +125°C
2	Temperature cycle	-55°C +125°C, 10 times, 20h
3	High Temperature	+125°C, 250 h
4	Low Temperature	-55°C
5	Salt spray	96h with Al or 500h with stainless
6	alternating temperature humidity	10D
■Mechanical performance		
No	Item	Performance
1	Durability	500 times
3	Vibration:	MIL-DTL-38999 Series III/EN3645 - Sine 5Hz to 3000Hz as per EN2591-6403 method A - Random as per EN2591-6403 method B
4	Shock:	300 g, 3 ms as per EN 2591-6402
5	Force tensile	68N 1min 3times
6	Crush	1.8m, 8times



3. Insert arrangement (view from pin insulator interface)

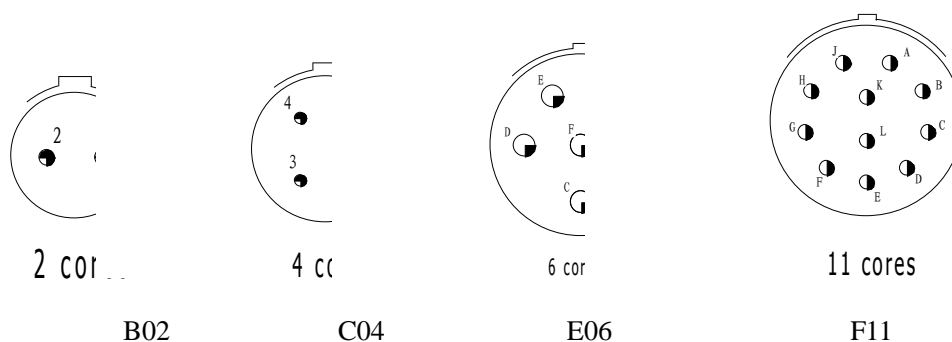


Fig 1 Layouts

4. Outline of products

4.1 plug assemblies

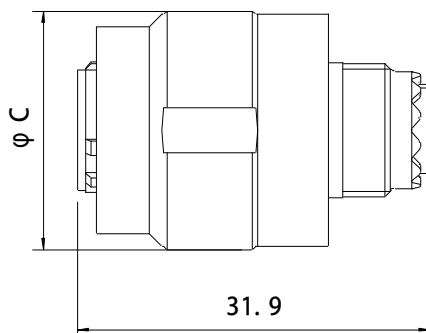
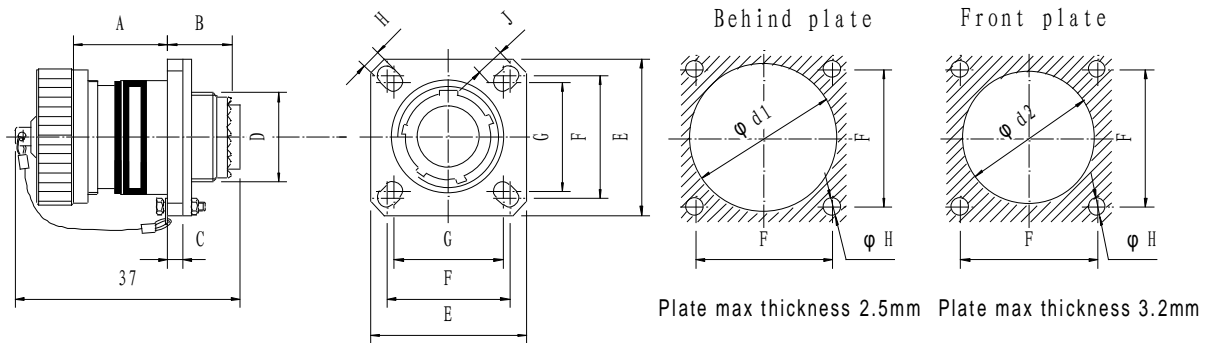


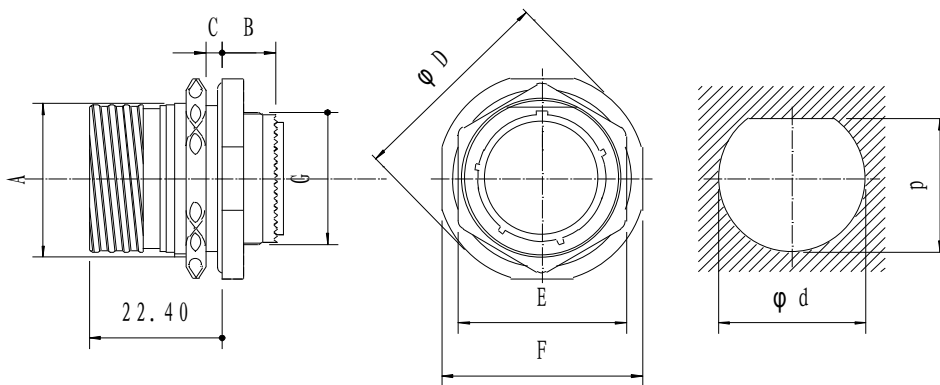
Fig 2 Outline of plug without accessory

Shell size	MS Shell size	C
9	A	21.80
11	B	25.00
13	C	29.40
15	D	32.40
17	E	35.60
19	F	38.50
23	H	44.90
25	J	48.00


Fig 3 Outline of square flange receptacle without accessory

Shell size	Shell size	A max	B max	C max	D Thread	E	F	G	H	J	d1 min	d2 min
9	A	20.90	10.60	2.50	M12×1-6g	23.80	18.26	15.09	3.25	5.49	16.66	13.11
11	B	20.90	10.60	2.50	M15×1-6g	26.20	20.62	18.26	3.25	4.93	20.22	15.88
13	C	20.90	10.60	2.50	M18×1-6g	28.60	23.01	20.62	3.25	4.93	23.42	19.05
15	D	20.90	10.60	2.50	M22×1-6g	31.00	24.61	23.01	3.25	4.93	26.59	23.01
17	E	20.90	10.60	2.50	M25×1-6g	33.30	26.97	24.61	3.25	4.93	30.96	25.81
19	F	20.90	10.60	2.50	M28×1-6g	36.50	29.36	26.97	3.25	4.93	32.94	28.98

4.3 Nut mounting receptacle assemblies


Fig 4 Outline of Nut mounting receptacle without accessory

Shell size	MS Shell size	A	B max	C max	D max	E max	F	G Thread	d	p
9	A	16.50	9.90	3.20	30.50	24.00	27.00	M12×1-6g	17.70	16.99
11	B	19.30	9.90	3.20	35.20	27.00	31.80	M15×1-6g	20.88	19.53
13	C	24.00	9.90	3.20	38.40	32.00	34.90	M18×1-6g	25.58	24.26
15	D	27.20	9.90	3.20	41.60	36.00	38.10	M22×1-6g	28.80	27.53
17	E	30.40	9.90	3.20	44.80	37.00	41.30	M25×1-6g	31.98	30.68
19	F	33.40	9.90	3.20	49.30	41.00	46.00	M28×1-6g	35.15	33.86



5. Ordering information

5.1 plug

Basic series	CM/	26	Y	C	04	B1	N	01		
Shell type	26- plug									
Plating	Y—aluminum alloy with olive green cadmium plating H—aluminum alloy with electroless nickel plating M—stainless steel passivation									
shell size index	A to J	9 A	11 B	13 C	15 D	17 E	19 F	21 G	23 H	25 J
insert arrangement	details see “Layouts”									
Contact	A1- fiber optic pin B1- fiber optic socket									
polarization	N—normal ; A、B、C、D、E— variations									
Design no.	01……(normally there is no number)									

5.2 Receptacle

Basic series	CM/	20	Y	C	04	A1	N	01		
Shell type	20— square flange receptacle 24—nut mounting receptacle									
Plating	Y—aluminum alloy with olive green cadmium plating H—aluminum alloy with electroless nickel plating M—stainless steel passivation									
shell size index	A to J	9 A	11 B	13 C	15 D	17 E	19 F	21 G	23 H	25 J
insert arrangement	details see “Layouts”									
Contact	A1— fiber optic pin B1— fiber optic socket									
polarization	N—normal ; A、B、C、D、E— variations									
Design no.	01……(normally there is no number)									



6. Photo of 2 cores CM Series connector



2 cores Receptacle

Model : CM/20YB02N Aluminum alloy with olive green cadmium plating



2 cores Plug

Model : CM/26YB02N Aluminum alloy with olive green cadmium plating



CM series Contact

Model : ECL plastic optical contact using 2.5mm style ferrule