

DW Series Multi-Fiber Cable Connector

Product brief introduction

- Small size and reliable functions
- 2, 4, 6, 8 fibers provided
- Branch cable diameter: $\Phi 2$, $\Phi 3$

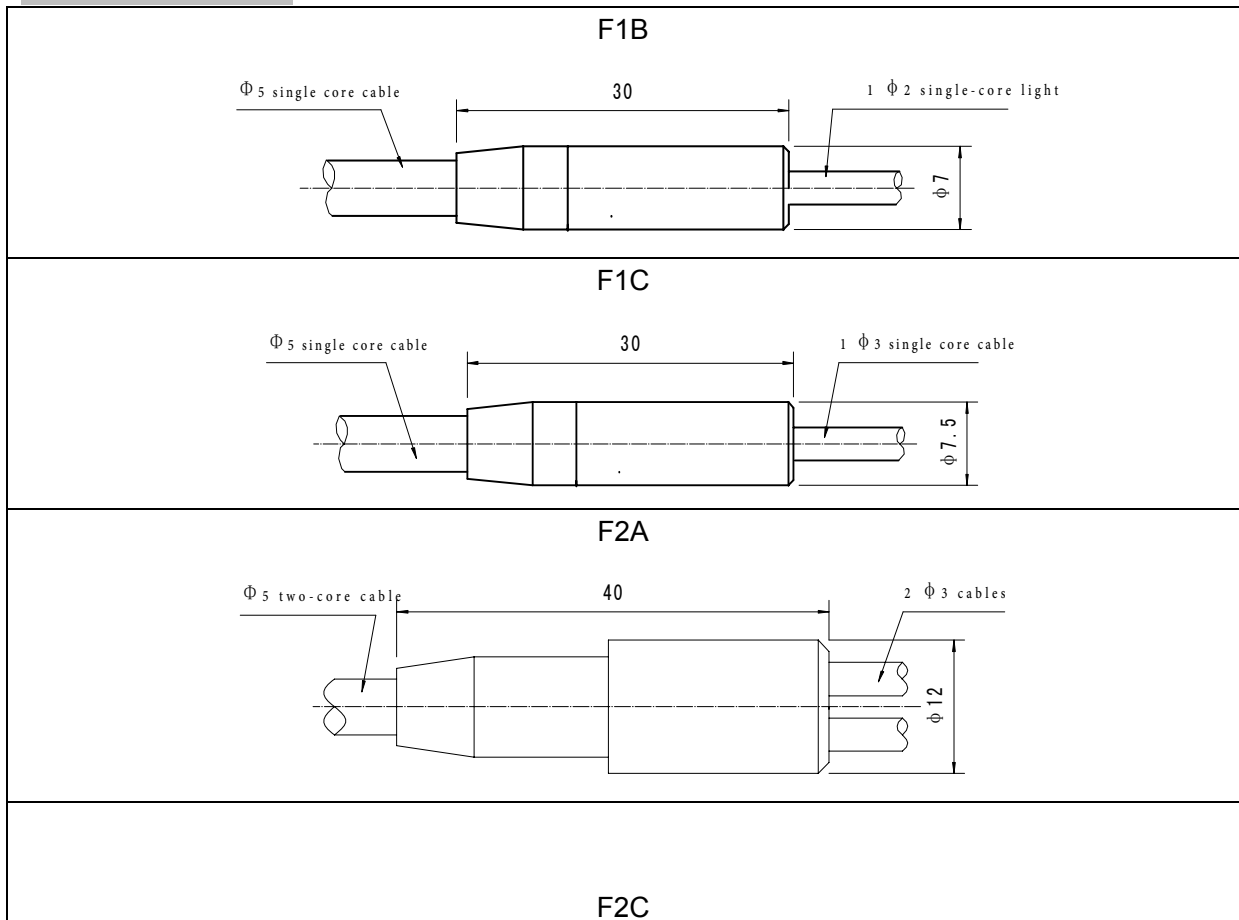
Applications

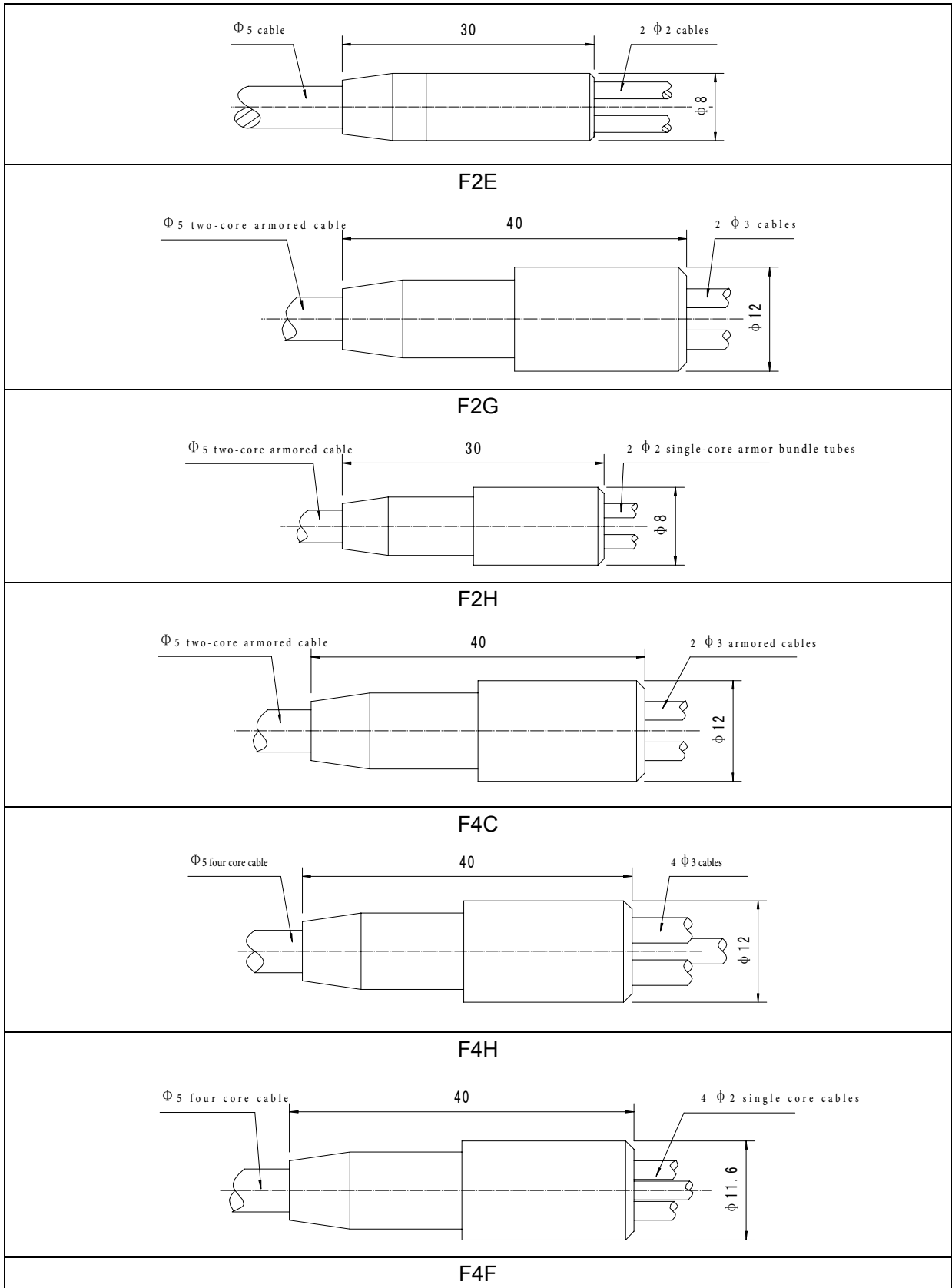
- Convert $\Phi 0.9$ optic fiber in main cable to $\Phi 2$ or $\Phi 3$ single fiber cable

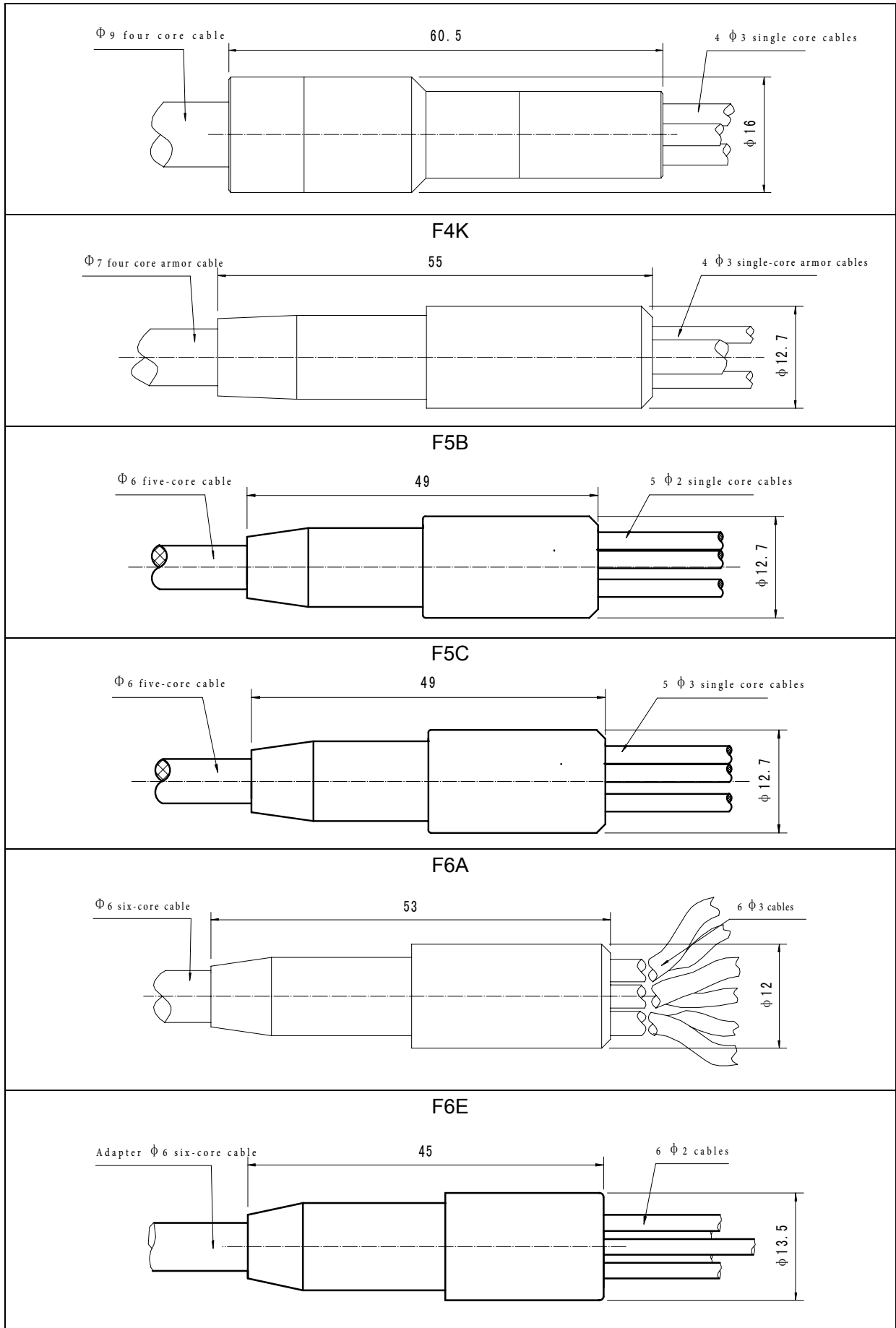
Performances

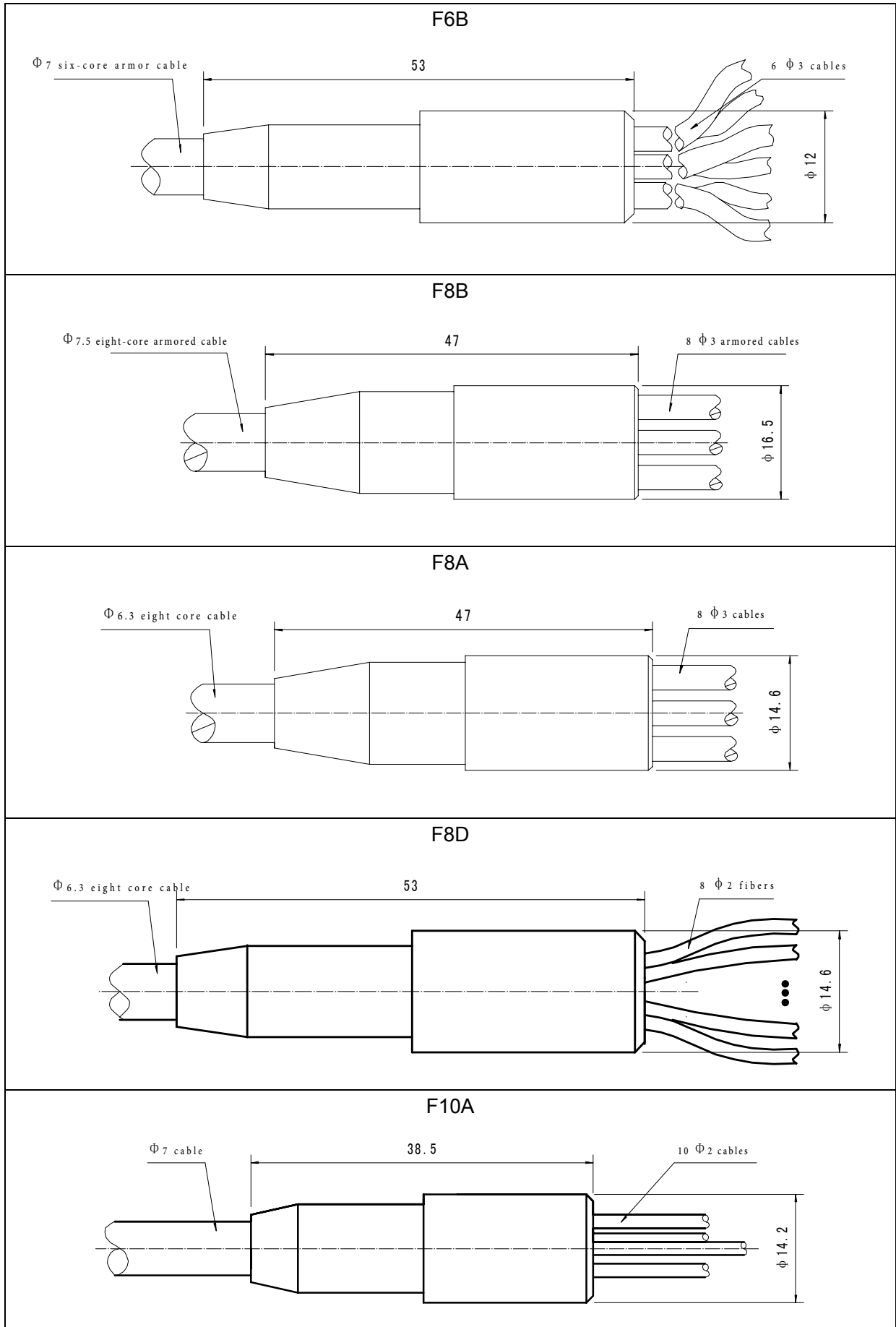
Parameters	SM			MM
	PC	UPC	APC	PC
Return Loss (dB)	≥ 45	≥ 50	≥ 60	≥ 35
Insertion Loss (dB)	≤ 0.2 (typical) , ≤ 0.3 (Max)			
Repeatability (dB)	≤ 0.1			
Durability (cycles)	$\geq 500/1000$			
Operating Temp. ($^{\circ}\text{C}$)	$-40\sim+80$ (FC, ST) , $-25\sim+70$ (SC, LC, MU)			

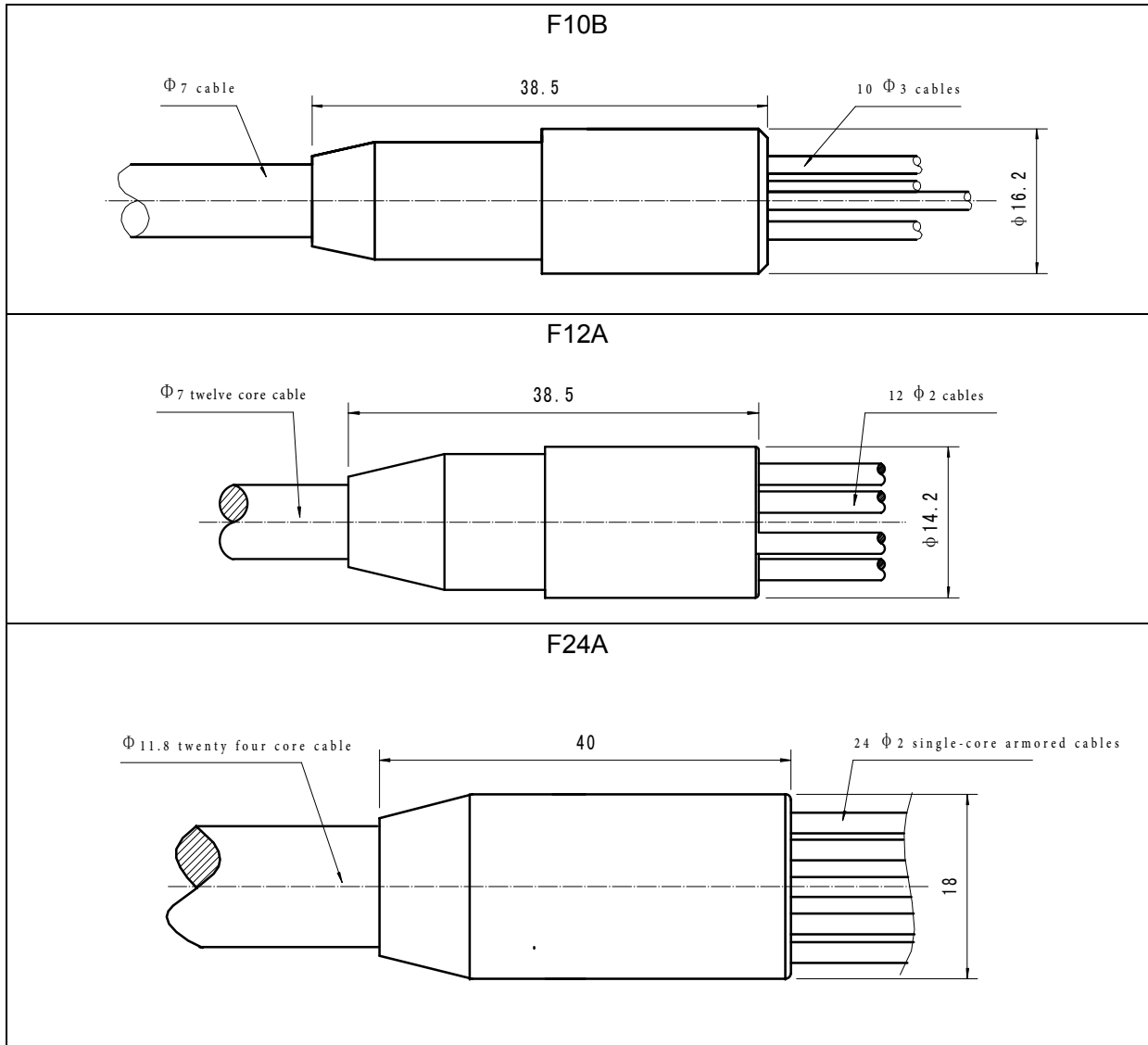
Outline dimensions













Fn Multi-Fiber Cable Connector Series Designation

	2FC	-2F2A	-2SC	-C5*2	-3S100/0.5/0.3	+SFJ01
Amount and types of plugs at end 1	Amount: omitted for 1 Type: such as FC, SC, or according to customer's requirements					
Amount and types of splitters	Amount: omitted for 1 Type: such as F2A and F2B, Or according to customer's requirements					
Amount and types of plugs at end 2	Amount: omitted for 1 Type: such as FC, SC, or according to customer's requirements					
Outer cable specification	C 5 * 2					
	Outer cable type mark is C					
	Outer cable diameter					
	When inner cable is ribbon Type, mark R					
	Number of optic cable cores					
Branch cable specification	3 S 100 /0.5 /0.3					
	Branch cable diameters: 2-φ2mm, 3-φ3mm					
	Transmission mode: see Table 1					
	Cable length: Unit: m					
	Branch cable length at end 1(omitted when there is no branch cable)					
Cable deployment rack	Branch cable length at end 2(default branch cable length is 0.15; omitted when there is no branch cable or branch cable lengths are same)					
	SFJ00, SFJ01.....(omitted when there is no deployment rack)					

Note: when there is only a connector at end 1, description about connectors at end 2 is omitted.
Transmission mode in the table below:

Table 1

No.	Transmission mode of optic fiber	Code
1	G652 General SM optic fiber (SM optic fiber for short)	S
2	Core diameter 62.5/125 MM optic fiber	M
3	Core diameter 50/125 MM optic fiber	M I

Designation examples:

Example 1: 2SC—2F2A—2FC—C5*2—3S3/0.2

Explanation: DW Multi-Fiber Cable Connector Series, 2 SC plugs at end 1, 2 FC plugs at end 2;
main cable

diameter 5mm, 2-core, branch cable diameter 3mm, SM, cable overall length 3m, branch cable
length 0.2m, splitter F2A.

Example 2: 4ASC—2F4C—4FC—C5*4—3S1000/0.5+SFJ01

Explanation: DW Multi-Fiber Cable Connector Series, 4 SC/APC plugs at end 1, 4 FC plugs at end
2; main cable diameter 5mm, 4-core, branch cable diameter 3mm, SM, cable length 0.5m,
overall length 3m, with a SFJ01 optic cable deployment rack attached, splitter F2A.