



Adapters

Description

- Different interface conversion
- Small size, easy installation
- Stable and reliable environment performance

Application

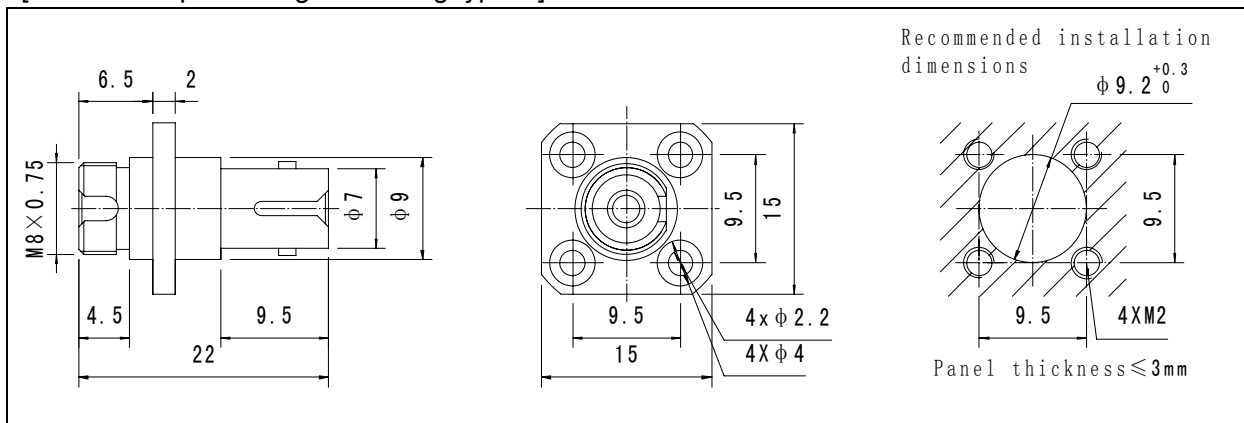
- Different optical test system
- Temporary connection application
- Instrument

Performance

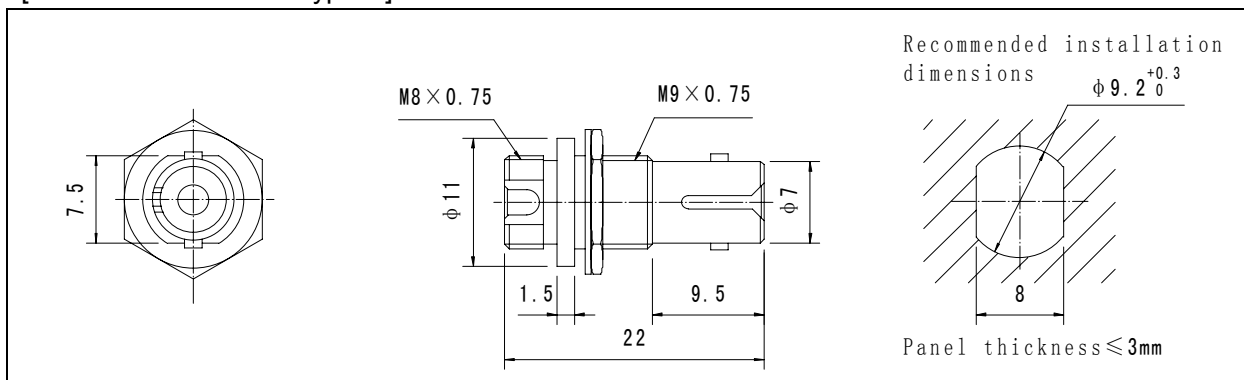
Parameter	Adapter
Insertion Loss (dB)	≤0.1
Durability (cycles)	>1,000 (metal type), >500 (plastic type)
Operating temperature (°C)	-40~+85 (metal type), -25~+70 (plastic type)

Outline dimensions

[FCST-A (square flange mounting type)]

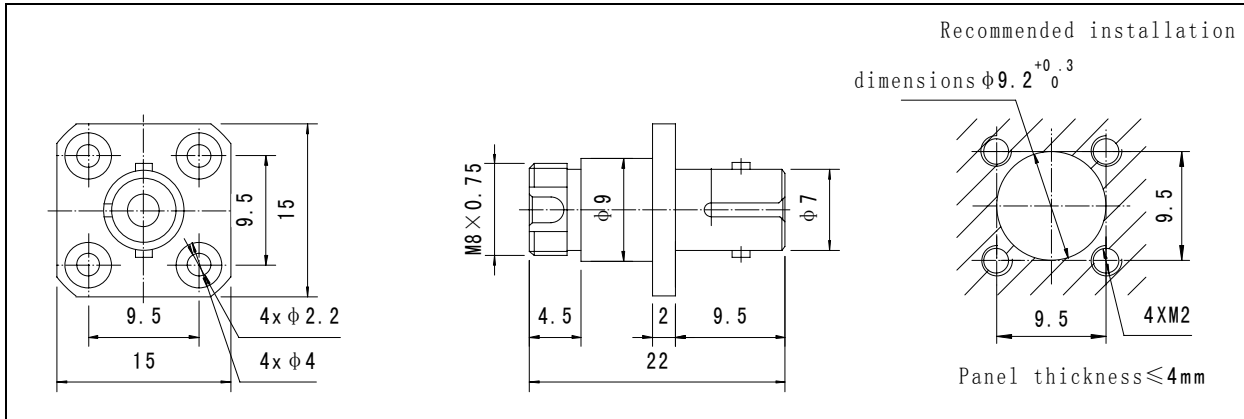


[FCST-A-01 (Jam nut type)]

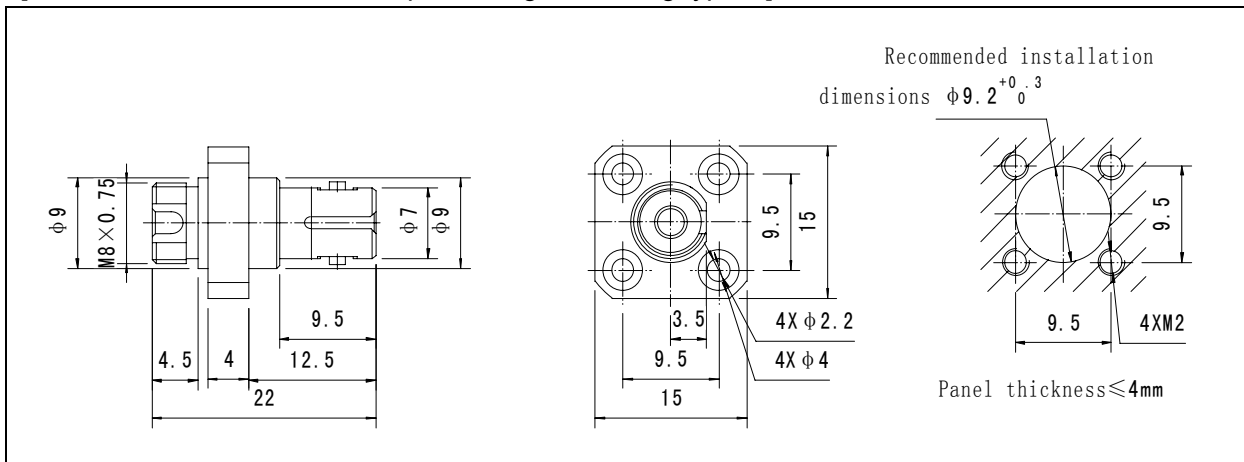




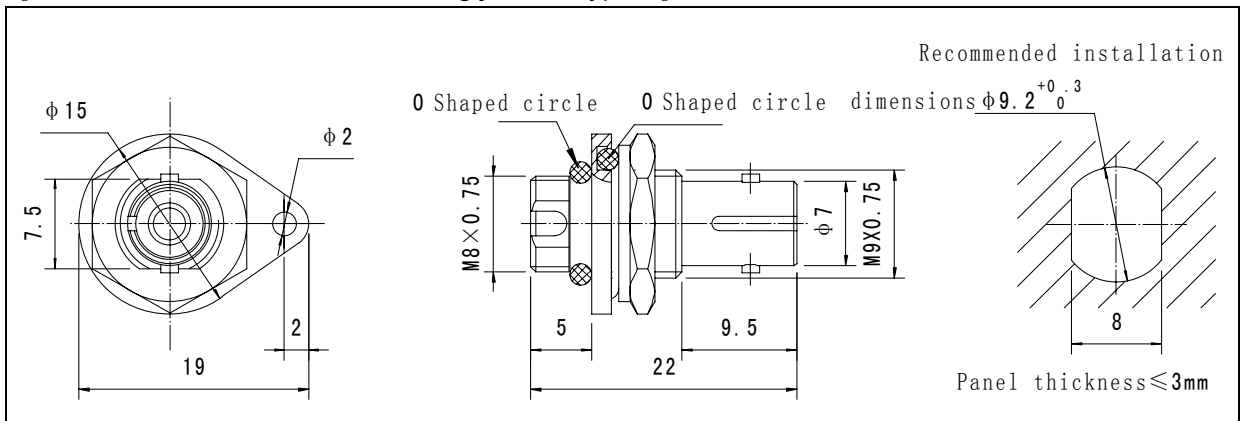
[FCST-A-03 (Thru-bulkhead square flange mounting type)]



[FCST-A-04 (Thru-bulkhead square flange mounting type)]

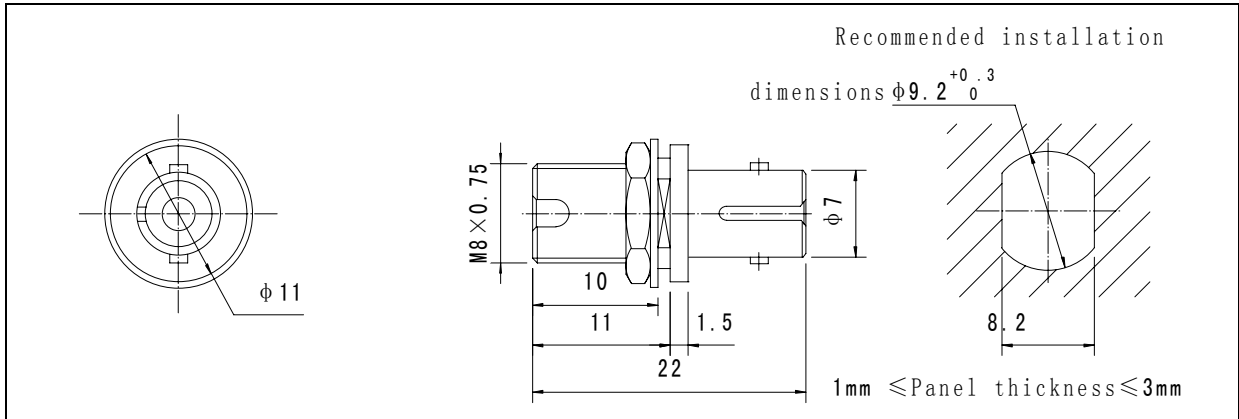


[FCST-A-06 (Thru-bulkhead sealing jam nut type)]

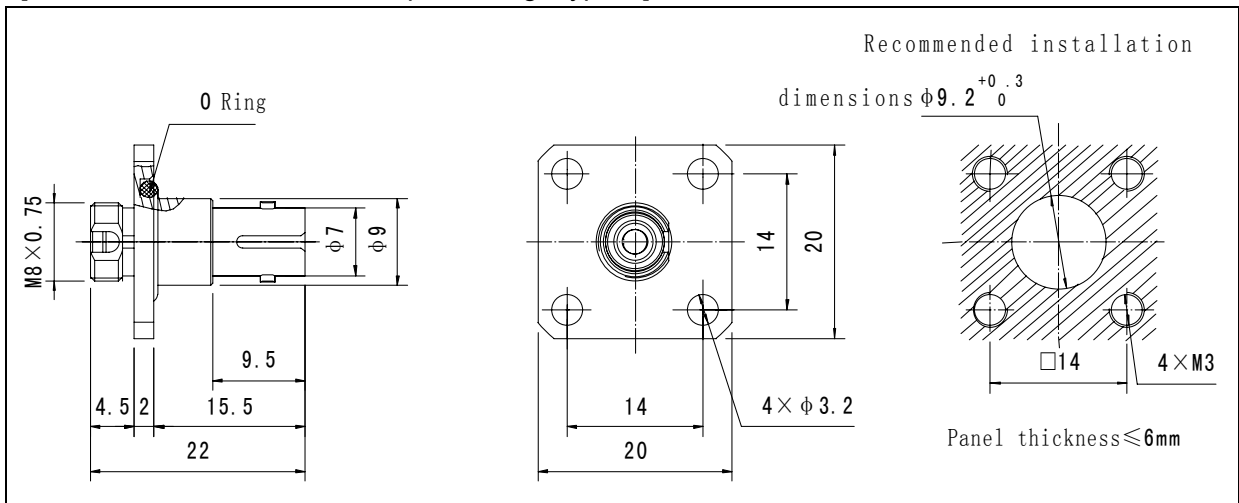




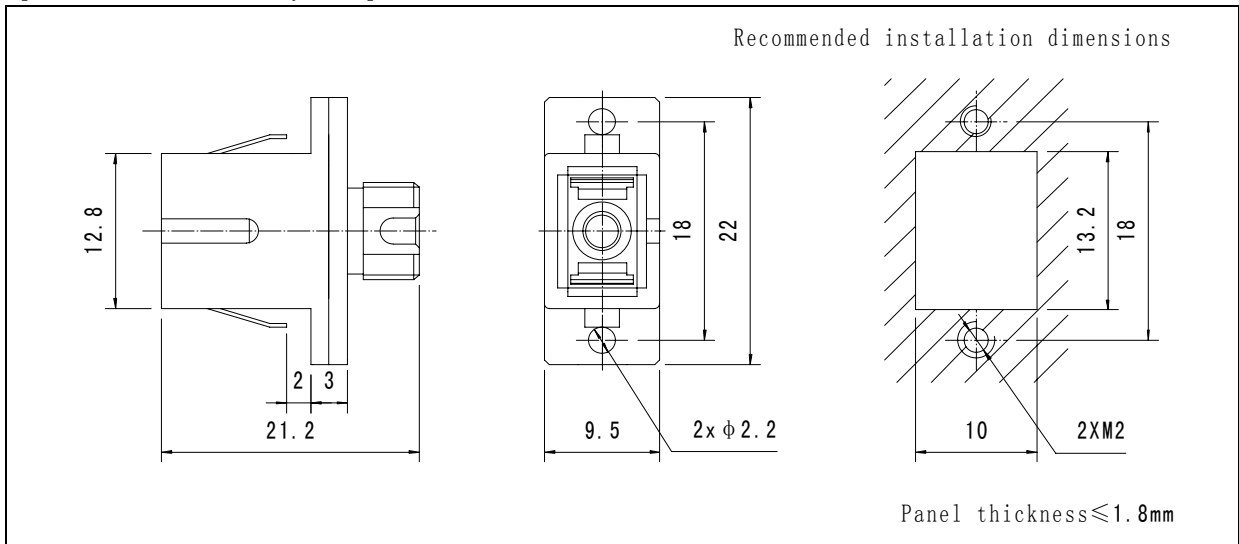
[FCST-A-07 (Thru-bulkhead jam nut type)]



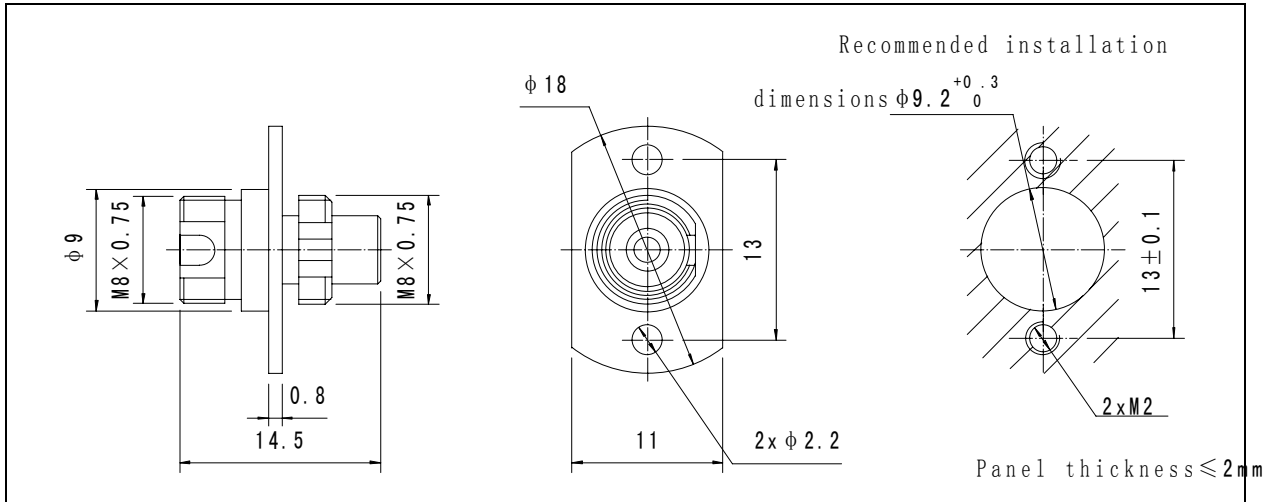
[FCST-A-08 (Thru-bulkhead square flange type)]



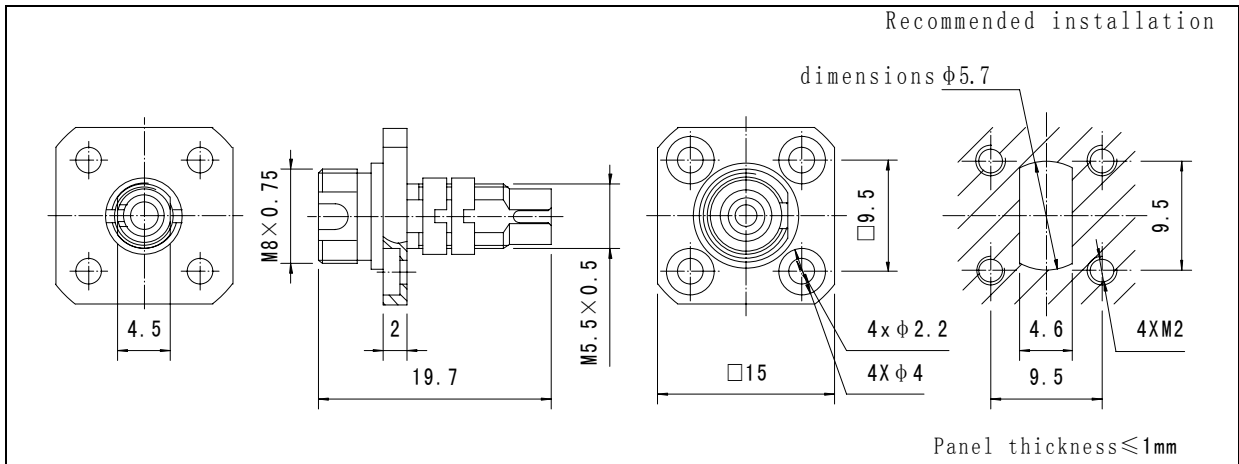
[FCSC-A (FCSC adapter)]



[FCD4-A (FC-D4 adapter)]



[FCDIN-A (FC-DIN adapter)]



[FCDIN-A-02 (FC-DIN adapter)]

