

Optic Cable Reel Bracket

Product brief introduction

Optic cable reel bracket is the coiling and deploying tool used with field operation cable connectors. According to using methods, there are portable, car carrying, go-cart, pole-pulling and hand-pushing/car carrying types.

Product type	Features	Coilable cable length
Plastic portable cable reel 	<ul style="list-style-type: none"> ● Metallic framework, plastic cable reel, light weight and durable ● Portable design with convenient operation ● Light weight 	100~500m (Φ5 optic cable)
Metallic portable cable reel 	<ul style="list-style-type: none"> ● Metallic framework, metallic cable reel, rugged and durable ● Portable design with convenient operation ● Relative light weight 	300~1500 m (Φ5 optic cable) 200~1200 m (Φ6 optic cable)
Vehicle carrying cable reel 	<ul style="list-style-type: none"> ● Metallic framework, metallic cable reel, rugged and durable ● Fixed on the vehicle wall 	100~300 m (Φ5 optic cable) 1000 m (Φ6 optic cable)
Go-cart cable reel 	<ul style="list-style-type: none"> ● Metallic framework, metallic cable reel, rugged and durable ● Flexible and convenient for moving 	700~2500 m (Φ5 optic cable) 450~2000 m (Φ6 optic cable)

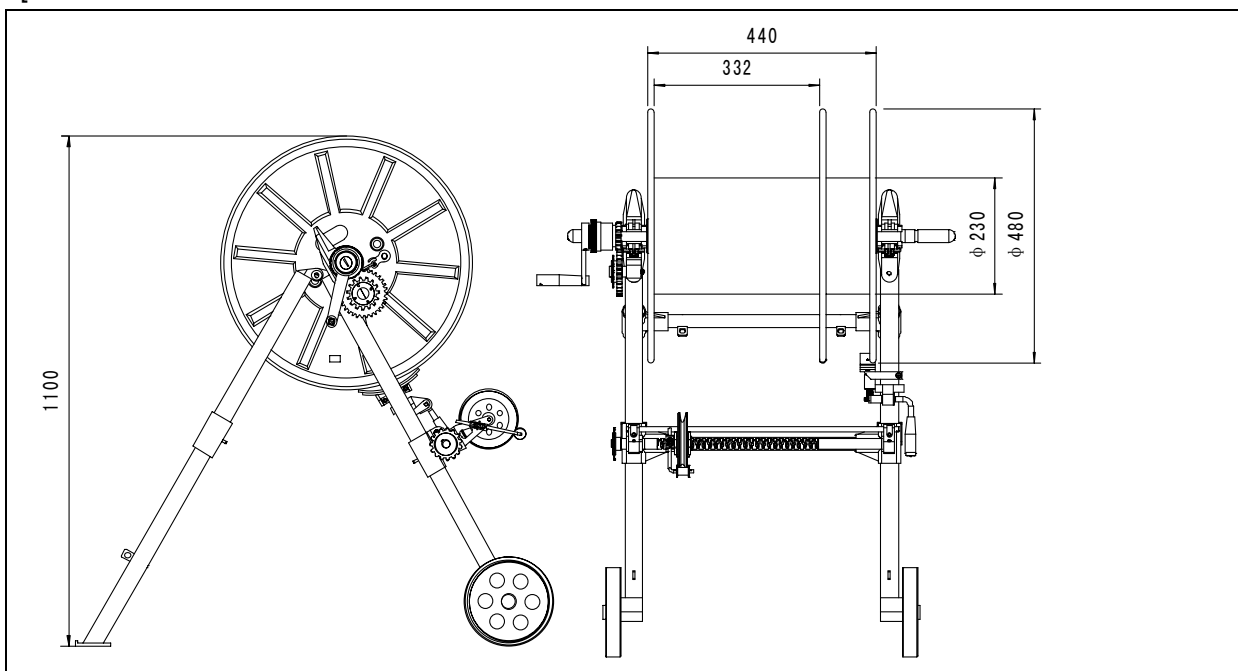
Ordering part number

When order cable reel separately, directly order per the cable reel part number; if order with the cable assembly, cable is required to be coiled on the reel, add the cable reel part number behind the cable assembly part number. Example:

Cable assembly P/N R255/26FC04B1N-L711/26FC04B1N-C5*4-S100	+	UHL02B
Cable reel P/N		

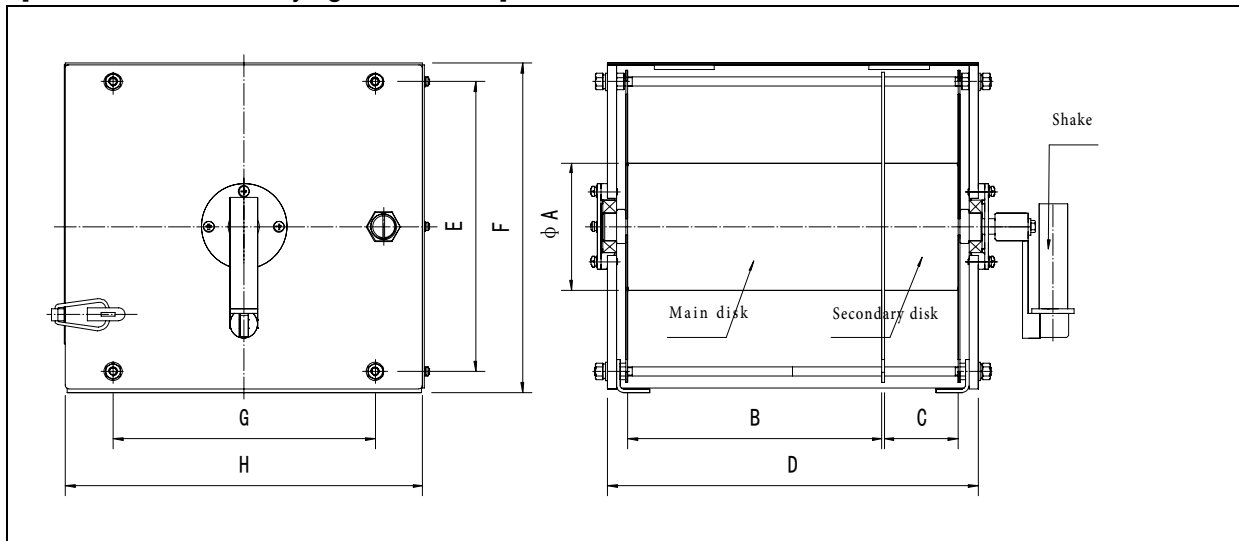
Outline dimensions

[UHL01 (Go-cart cable



1. Ordering part number: UHL01
2. Coilable cable length: 1000m (Φ5.2 optic cable)
3. Metallic configuration
4. Color: olive green
5. Ordering part number cautions: Ordering part number of "UHL01" is for the overall body of deployment Racket; Ordering part number of "UHL01P" is for the deployment reel; Ordering part number of "UHL01J" is for the parts except deployment reel in UHL01.

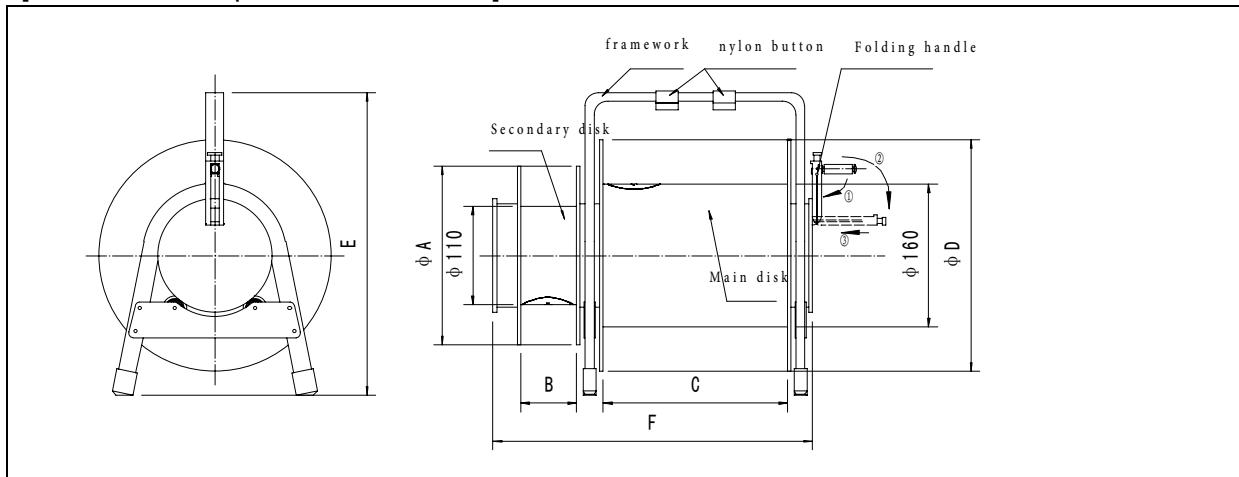
[UHL02 (Vehicle carrying cable reel)]



Part number	Cable size × reeling length	A	B	C	D	E	F	G	H
UHL02A	Φ5.2×300	160	283	75	420	300	330	310	340
UHL02B	Φ5.2×100	114	228	66	332	260	296	235	320
UHL02C	Φ6×1000	240	550	65	650	360	410	360	410

1. Metallic configuration
2. Color: olive green

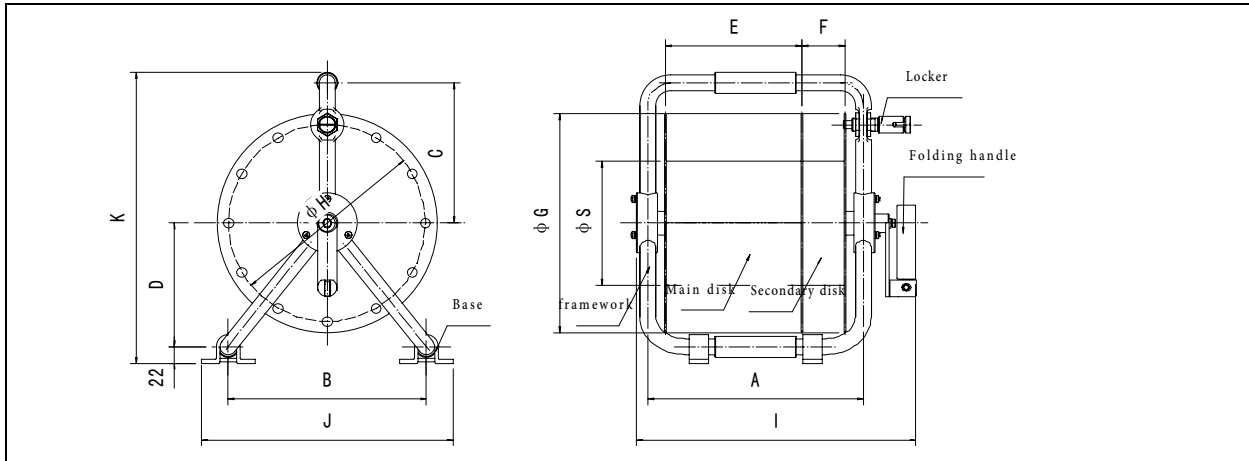
[UHL03 (Plastic portable cable reel)]



Part number	Cable size × reeling length	A	B	C	D	E	F
UHL03A	Φ5.2×100	200	62	106.5	260	337	254
UHL03B	Φ5.2×200	200	62	206.5	260	337	358
UHL03C	Φ5.2×300	200	62	186.5	320	392	334
UHL03D	Φ5.2×400	200	62	226.5	320	392	374
UHL03E	Φ5.2×500	200	62	286.5	320	392	434

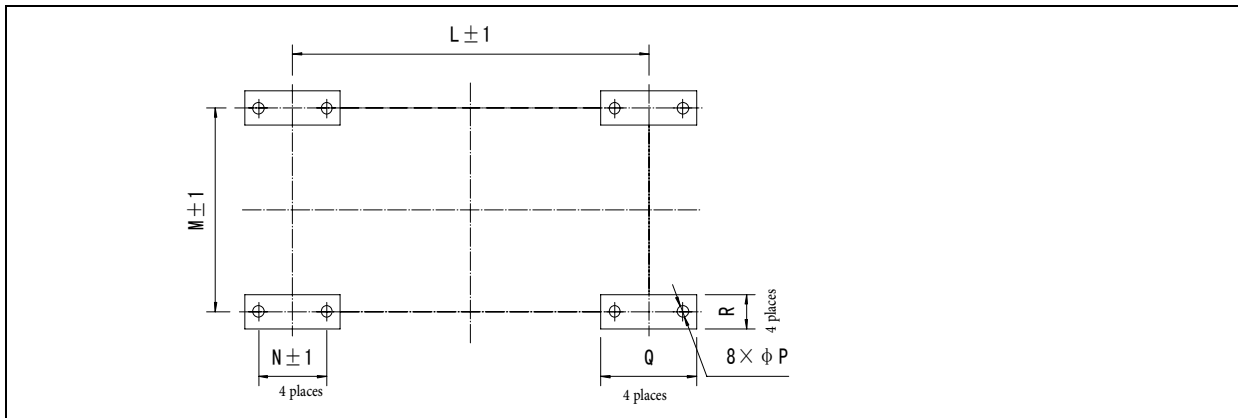
1. Framework: Black square steel, reel piece: red plastic, axes: white plastic
2. UHL03B cable reel weight: ≤3kg
3. Foldable handle for cable receiving. Completely deploying during operation, after that, draw back per indication 1~3 in the figure. After receiving, the protruding shoulder is exposed.

[UHL04 (Metallic portable cable reel)]



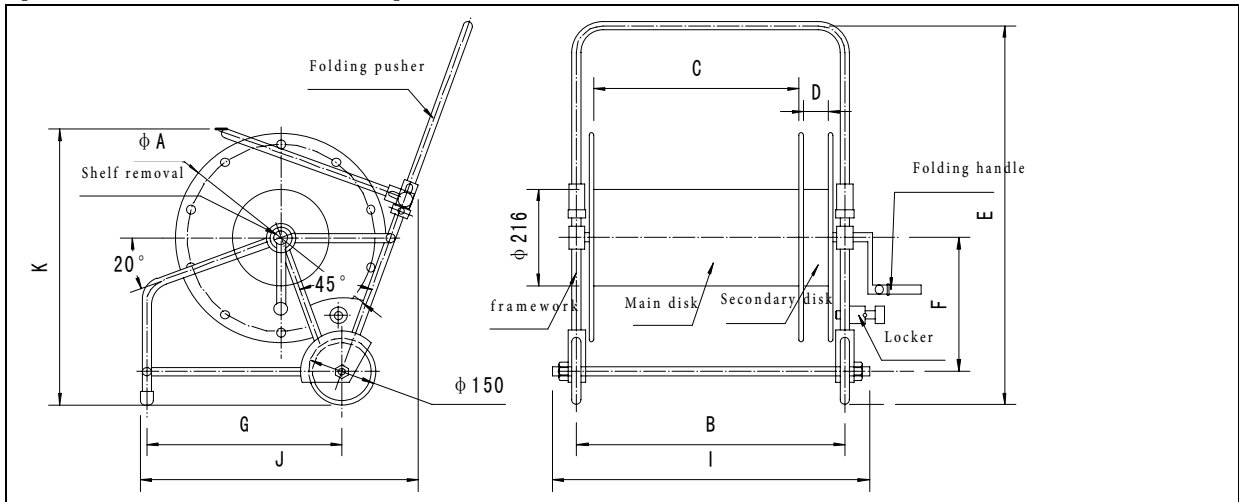
Part number	Cable reeling size and length limitation	A	B	C	D	E	F	G	H	I	J	K	S
UHL04A	Φ5×300m/ Φ6×200m	284	260	185	163	180	57	290	260	369	331	384	164
UHL04B	Φ5×700m/ Φ6×500m	414	270	210	176	300	67	320	290	520	340	420	164
UHL04C	Φ5×1000m/ Φ6×700m	520	331	246.5	247	394	57	430	390	592	401.5	530	164
UHL04D	Φ5×1500m/ Φ6×1200m	651	331	246.5	247	525	57	430	390	723	401.5	530	225

1. Color: olive green
2. UHL04A cable reel weight: ≤6kg
3. Base installation dimensions



Part number	L	M	N	P	Q	R
UHL04A	260	150	50	8.5	70	25
UHL04B	270	280	50	8.5	70	24
UHL04C	331	315	50	8.5	70	30
UHL04D	331	380	50	8.5	70	30

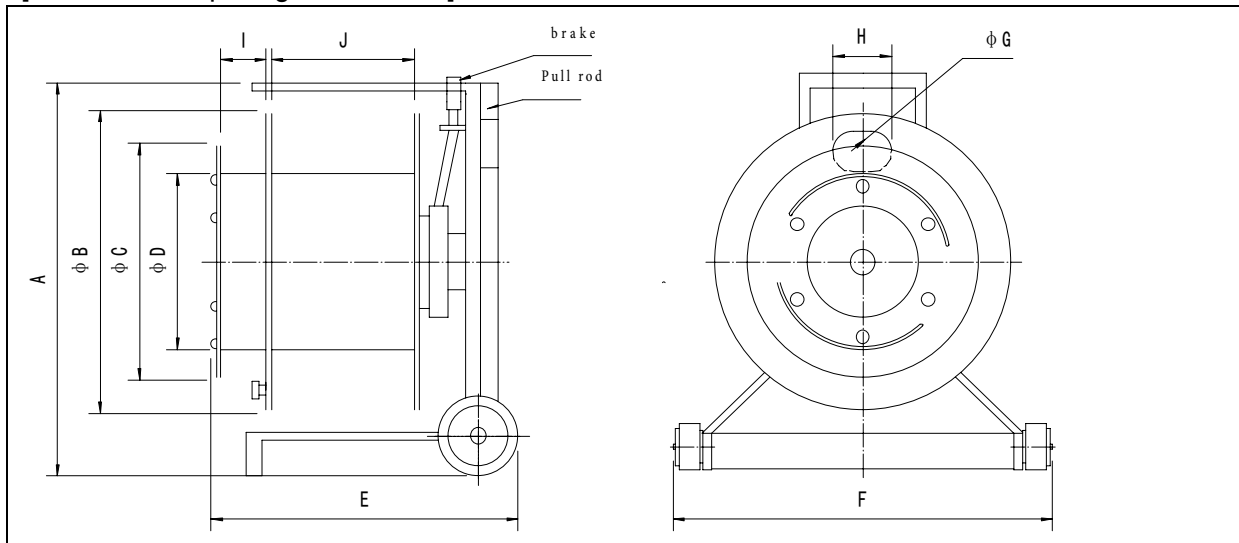
[UHL05 (Go-cart cable reel)]



Part number	Cable reeling size and length limitation	A	B	C	D	E	F	G	I	J	K
UHL05A	Φ5×1800m/ Φ6×1200m	430	560	430	61	800	280	380	662	550	555
UHL05B	Φ5×2500m/ Φ6×1800m	470	600	470	61	850	300	410	702	570	575
UHL05C	Φ5×700m/ Φ6×450m	320	430	300	67	800	280	320	532	470	555
UHL05D	Φ6×2100m/ Φ7×2000m	550	860	730	61	947	330	474	962	670	700

1. Metallic configuration
2. Color: olive green

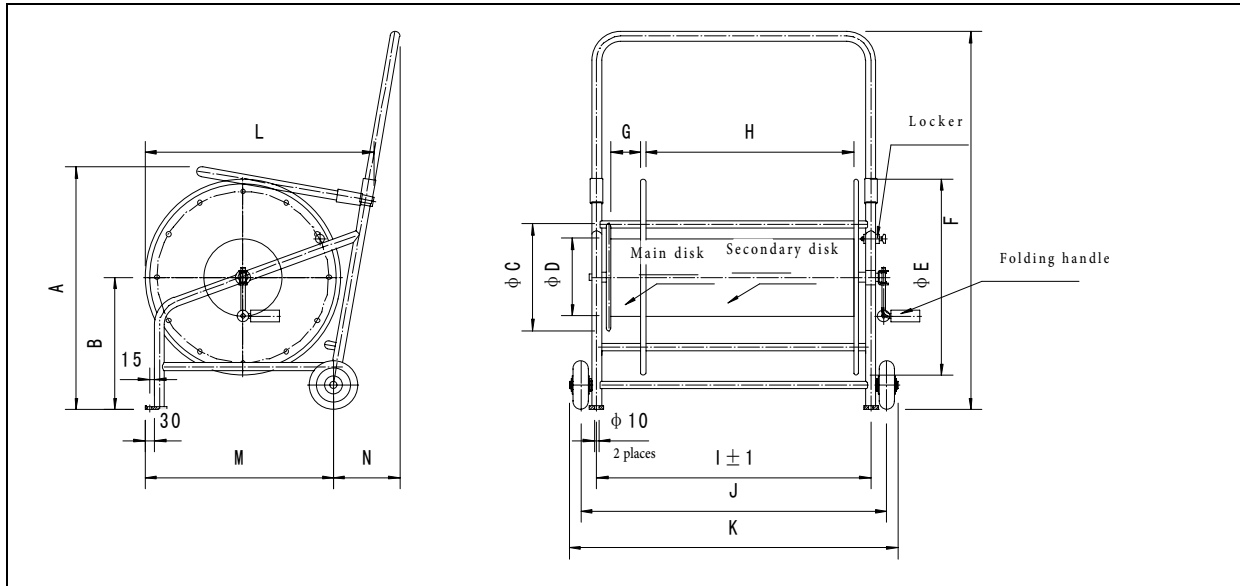
[UHL06 (Pole-pulling cable reel)]



Part number	Cable reeling size and length limitation	A	B	C	D	E	F	G	H	I	J
UHL06A	Φ5.2×300m/ Φ6×200m	530	400	250	160	325	490	60	80	55	160
UHL06B	Φ5.2×150m/ Φ6×60m	450	320	250	180	325	410	50	80	55	160
UHL06C	Φ5.2×500m/ Φ6×400m	580	460	250	190	365	510	60	80	55	190

1. Metallic configuration
2. Color: black

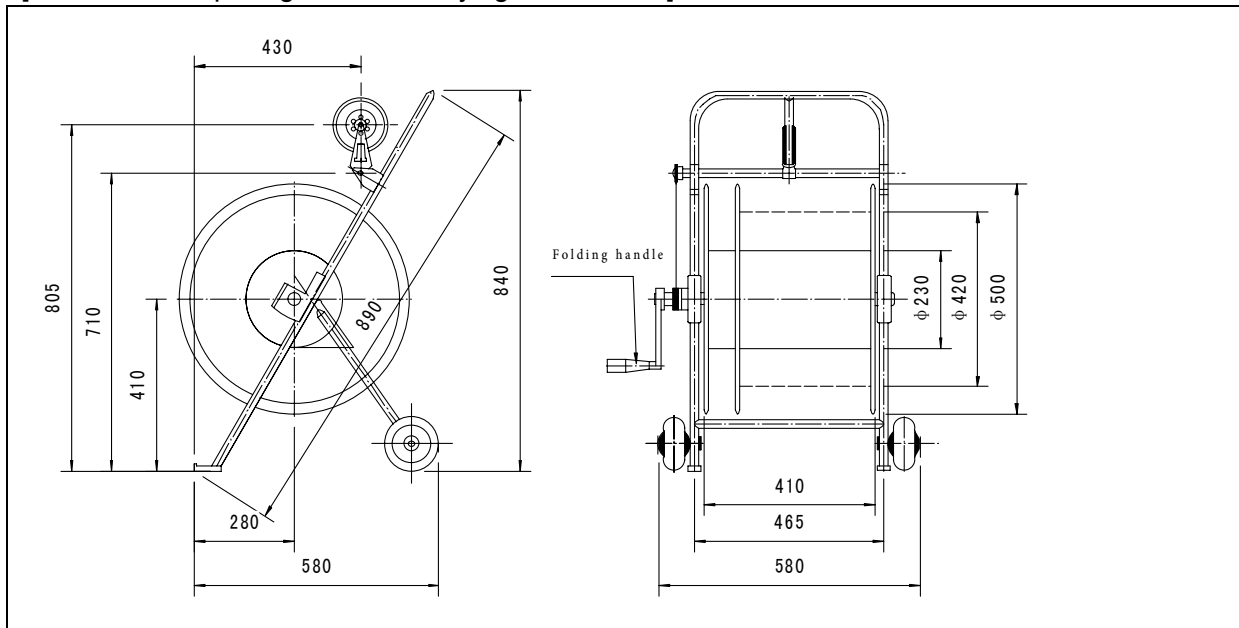
[UHL07 (Go-cart cable reel)]



Part number	Cable reeling size and length limitation	A	B	C	D	E	F	G	H	I	J	K	L	M	N
UHL07A	Φ5.2×1500m/ Φ6×1200m	505	272.5	220	160	405	780	61	430	566	631	680	485	390	138

1. Metallic configuration
2. Color: olive green
3. UHL07A cable reel weight: ≤12kg
4. Cable reel with gallow function

[UHL08 (hand pulling/ Vehicle carrying cable reel)]



1. Ordering part number: UHL08
2. Cable reeling length: 1000 m (Φ5.2 optic cable)
3. Metallic configuration
4. Ordering part number cautions: Ordering part number of "UHL08" is for the overall body of deployment Racket (applicable for Φ5.2 optic cable); Ordering part number of "UHL08P" is for the deployment reel; Ordering part number of "UHL08J" is for the parts except UHL08P deployment reel in UHL08
5. UHL08P deployment cable reel weight: ≤13kg

Cautions:

1. The product needs to be handled with care to avoid bumping.
2. During operation, in order to avoid damage caused by brutal transportation, it is recommended that users

Use the original packing provided by our company.

3. when deploying cables, vigorously pushing and pulling shall be avoided, otherwise, cable will be over bent and abraded with the environment (such as the ground).