

## MF71 series electric connector

### Product Introduction

- Comply with GJB1438/4-2002
- Hyperboloid wire spring socket
- 2.54 standard grid gap
- Refer to the general specification of MIL-C-55302
- Termination form: PCB dip soldering, soldering etc
- Screw thread guide pin, guide bushing with locking function
- Fixed format: riveting, screw-thread fastening
- Enterprise standard: 21E0.204.036JT

### Main technical performance

——Contact resistance, current rating of contacts

Contact dia. (mm)	Contact resistance( $\Omega$ )	Current rating (A)
$\Phi 0.66$	$\leq 0.025$	1
$\Phi 0.76$	$\leq 0.0125$	2

——Voltage rating: 250V

——dielectric withstand voltage: Normal temperature 1000V, damp heat 750V

——Insulation resistance: normal

temperature $\geq 1000\Omega$ , damp heat $\geq 20\Omega$

——Operating temperature:  $-55^{\circ}\text{C} \sim +125^{\circ}\text{C}$

——Relative humidity (RH):  $40^{\circ}\text{C}$ , 95%

——Vibration: frequency 10~2000Hz, acceleration  $147\text{m/s}^2$

——Shock: acceleration  $980\text{m/s}^2$

——Endurance: 1000 cycles

### Ordering Information

No.	Classify Characteristics	Classify contents	Mark
1	Basic series	PCB electrical connectors series 23	MF71
2	Structure type	Plug with pin	T
		Receptacle with socket	Z
		Plug with socket	S
		Receptacle with pin	P
3	Number of contacts	9、17、25、33、41...	marked number
4	Termination format	PCB dip soldering straight	B
		PCB dip soldering elbow	W
		Wire soldering	H
5	Plating	gold plating	J
6	Guide format	Guide component( guiding, no locking)	DL (straight) DW(elbow)
		Fixed plug screw component, installation extend	GL
		Rotate the guide pin, guide bushing( mating with RL form) can lock	R
		Installing the fixed guide pin, guide bushing ( mating with R form) can lock	RL

Note: Please see the specific types in MF71 plug, receptacle mating correlation chart. If there is any special demand, please contact with our company.



MF71 plug, receptacle mating correlation table

No.	Type of the plug	Type of the mating receptacle	Note
1	MF71T9WJ-DW-06	MF71Z9BJ-DL-06	Through the guiding of guide pin and guide bushing, the plug and receptacle accomplish the mating and there is no locking function.
		MF71Z9HJ-DL	
2	MF71T9BJ-DL	MF71Z9BJ-DL-06	
		MF71Z9HJ-DL	
3	MF71T17WJ-DW	MF71Z17BJ-DL	
		MF71Z17HJ-DL	
4	MF71T17BJ-DL	MF71Z17BJ-DL	
		MF71Z17HJ-DL	
5	MF71T25WJ-DW	MF71Z25BJ-DL	
		MF71Z25HJ-DL	
6	MF71T25BJ-DL	MF71Z25BJ-DL	
		MF71Z25HJ-DL	
7	MF71T33WJ-DW	MF71Z33BJ-DL	
		MF71Z33HJ-DL	
8	MF71T33BJ-DL	MF71Z33BJ-DL	
		MF71Z33HJ-DL	
8	MF71T41WJ-DW	MF71Z41BJ-DL	
		MF71Z41HJ-DL	
9	MF71T41BJ-DL	MF71Z41BJ-DL	
		MF71Z41HJ-DL	
10	MF71T49WJ-DW	MF71Z49BJ-DL	
11	MF71T61WJ-DW	MF71Z61BJ-DL	
12	MF71T73WJ-DW	MF71Z73BJ-DL	
13	MF71T77WJ-DW	MF71Z77BJ-DL	
		MF71Z77HJ-DL	
14	MF71T77BJ-DW	MF71Z77BJ-DL	
		MF71Z77HJ-DL	
14	MF71FT115WJ-DW	MF71FZ115BJ-DL	
15	MF71T9HJ-R	MF71Z9BJ-RL	Plug installed with pin, receptacle installed with socket, capacity of locking after mating; Recommend plug and receptacle locking moment: 0.15N·m~0.2N·m
		MF71Z9WJ-RL	
16	MF71T17HJ-R	MF71Z17BJ-RL	
		MF71Z17WJ-RL	
17	MF71T25HJ-R	MF71Z25BJ-RL	
		MF71Z25WJ-RL	
18	MF71T33HJ-R	MF71Z33BJ-RL	
		MF71Z33WJ-RL	
19	MF71T41HJ-R	MF71Z41BJ-RL	
		MF71Z41WJ-RL	
20	MF71S9HJ-R	MF71P9BJ-RL-01	Plug installed with socket, receptacle installed with pin, capacity of locking after mating; Recommend plug and receptacle locking moment: 0.15N·m~0.2N·m
		MF71P9WJ-RL	
21	MF71S17HJ-R	MF71P17BJ-RL	
		MF71P17WJ-RL	
22	MF71S25HJ-R	MF71P25BJ-RL	
		MF71P25WJ-RL	
23	MF71S33HJ-R	MF71P33BJ-RL	
		MF71P33WJ-RL	
24	MF71S41HJ-R	MF71P41BJ-RL	
		MF71P41WJ-RL	
25	MF71S9HJ	MF71P9WJ-GL	Plug installed with socket, receptacle
26	MF71S17HJ	MF71P17WJ-GL	

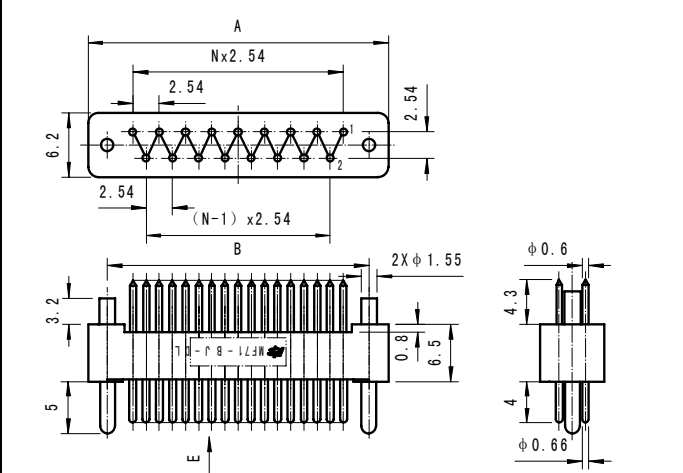
27	MF71S25HJ	MF71P25WJ-GL	installed with pin, capacity of locking after mating;
28	MF71S33HJ	MF71P33WJ-GL	
29	MF71T40HJ-M	MF71Z40B2J-F	Plug installed with pin, receptacle installed with socket, capacity of locking after mating;
30	MF71T60HJ-M	MF71Z60B2J-F	
31	MF71T70HJ-M	MF71Z70B2J-F	

### Outline dimensions

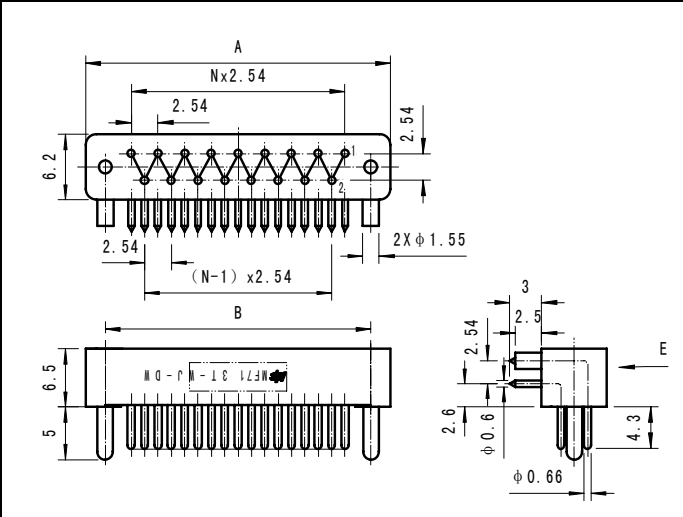
[Mating of plug and receptacle without locking]

#### I. 2 rows of contacts

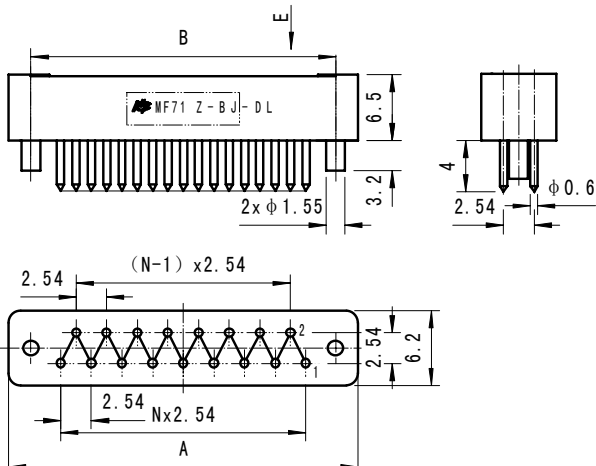
##### 1. Straight plug

	Type of the plug	A	B	N
	MF71T9BJ-DL	19.0	15.10	4
	MF71T17BJ-DL	29.0	25.26	8
	MF71T25BJ-DL	39.2	35.42	12
	MF71T33BJ-DL	49.5	45.76	16
	MF71T41BJ-DL	59.8	56.00	20
	MF71T77BJ-DL	105.3	101.6	38

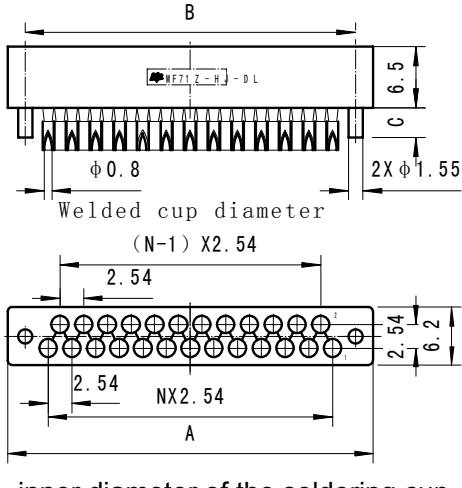
##### 2. Elbow plug

	Type of the plug	A	B	N
	MF71T9WJ-DW-06	19.0	15.10	4
	MF71T17WJ-DW	29.0	25.26	8
	MF71T25WJ-DW	39.2	35.42	12
	MF71T33WJ-DW	49.5	45.76	16
	MF71T41WJ-DW	59.8	56.00	20
	MF71T77WJ-DW	105.3	101.6	38

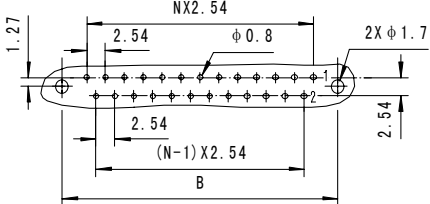
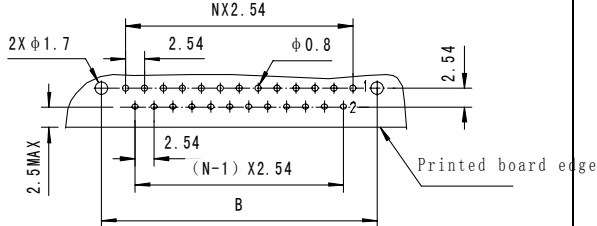
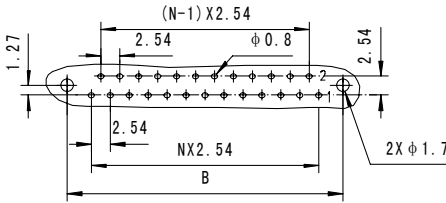
### 3. Straight receptacle

	Type of the receptacle	A	B	N
	MF71Z9BJ-DL-06	19.0	15.10	4
	MF71Z17BJ-DL	29.0	25.26	8
	MF71Z25BJ-DL	39.2	35.42	12
	MF71Z33BJ-DL	49.5	45.76	16
	MF71Z41BJ-DL	59.8	56.00	20
	MF71Z77BJ-DL	105.3	101.6	38

### 4. Straight soldering receptacle

	Type of the receptacle	A	B	C	N
	MF71Z9HJ-DL	19.0	15.10	2.5	4
	MF71Z17HJ-DL	29.0	25.26	3.2	8
	MF71Z25HJ-DL	39.2	35.42	3.2	12
	MF71Z33HJ-DL	49.5	45.76	3.2	16
	MF71Z41HJ-DL	59.8	56.00	3.2	20
	MF71Z77HJ-DL	105.3	101.6	3.2	38

PCB cut-size

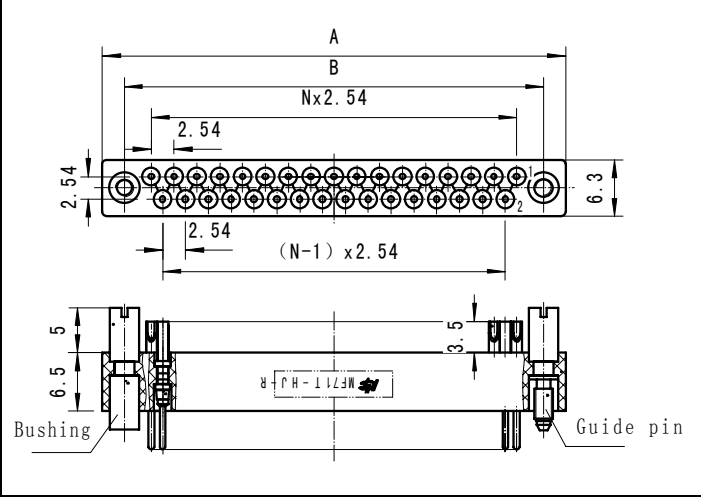
<p>MF71T-BJ-DL Recommended printed circuit board size (E) 2 rows</p> 	<p>MF71T-WJ-DW Recommended printed circuit board size (E) 2 rows</p> 
<p>MF71Z-BJ-DL Recommended printed circuit board size (E) 2 rows</p> 	
<p>MF71T-BJ-DL recommend PCB cut size ( E direction) 2 rows</p>	



[Mating of plug and receptacle with locking]

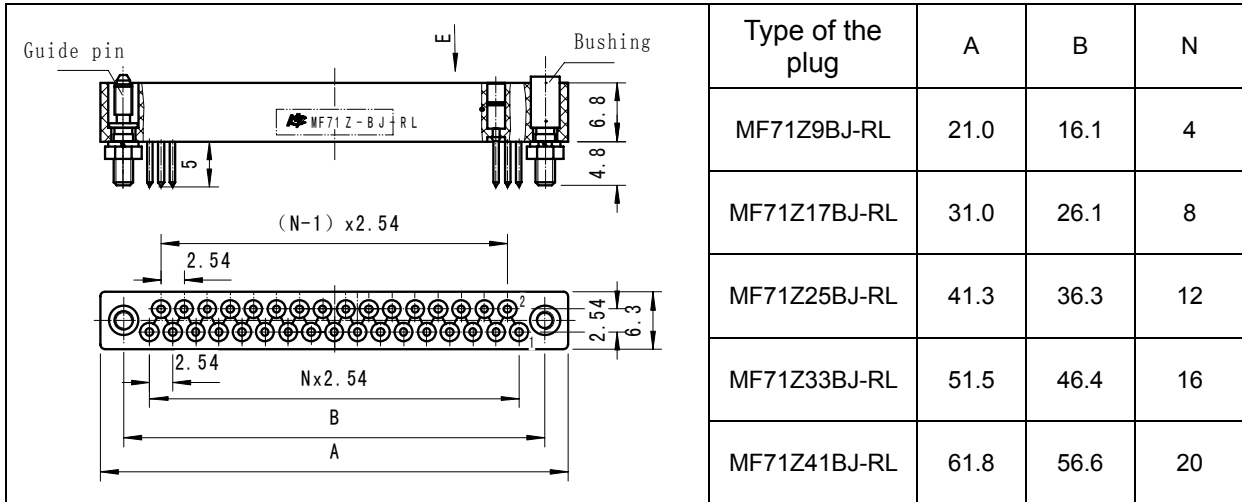
I. Free plug and PCB receptacle

1. Free plug ( installed with pin)

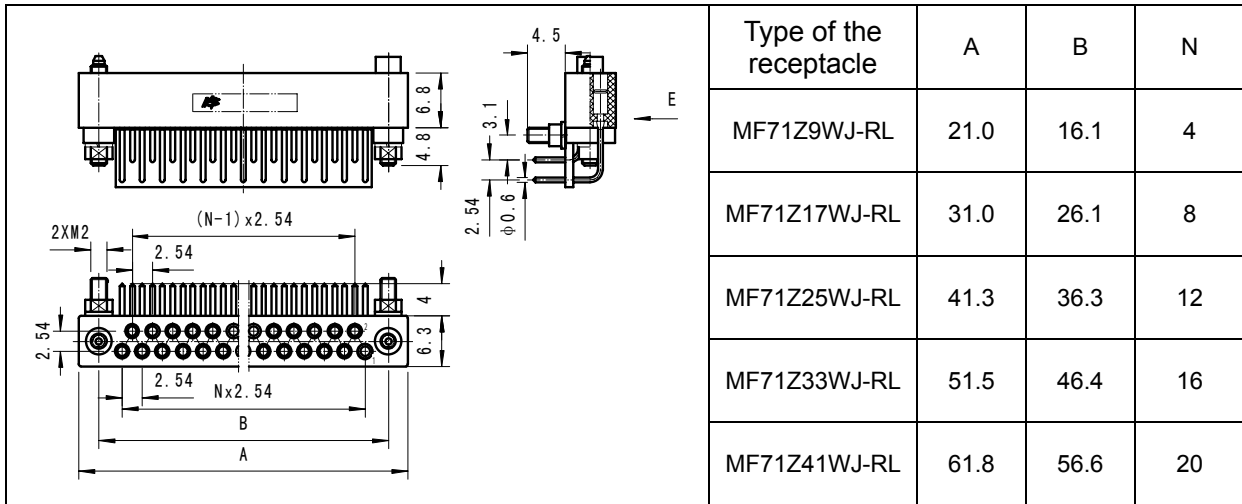
	<b>Type of the plug</b>	<b>A</b>	<b>B</b>	<b>N</b>
	MF71T9HJ-R	21.0	16.1	4
	MF71T17HJ-R	31.0	26.1	8
	MF71T25HJ-R	41.3	36.3	12
	MF71T33HJ-R	51.5	46.4	16
	MF71T41HJ-R	61.8	56.6	20

\* Diameter of the soldering cup  $\Phi 0.8$

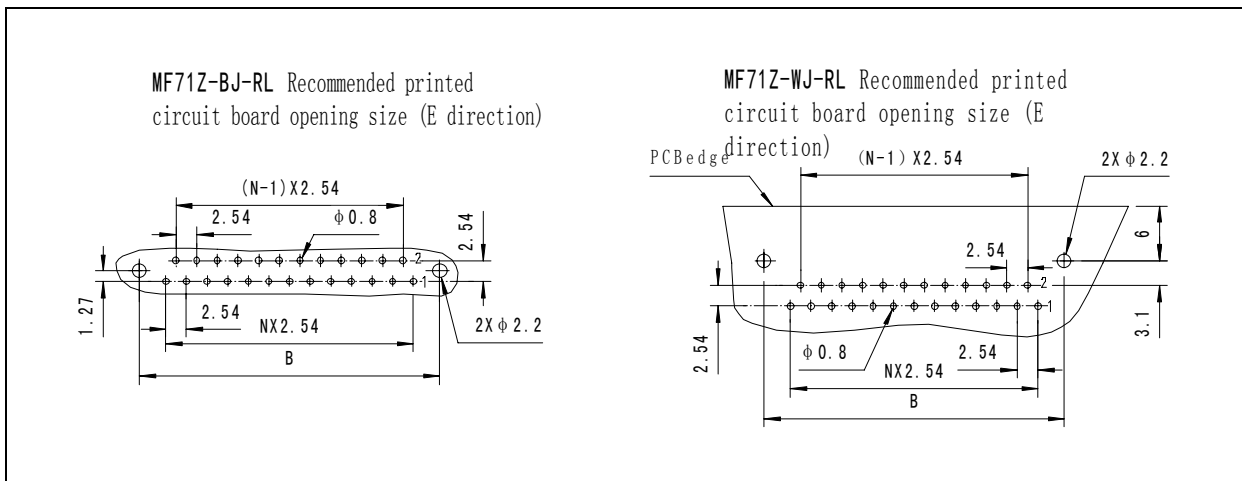
### 2. Straight receptacle (installed with socket)



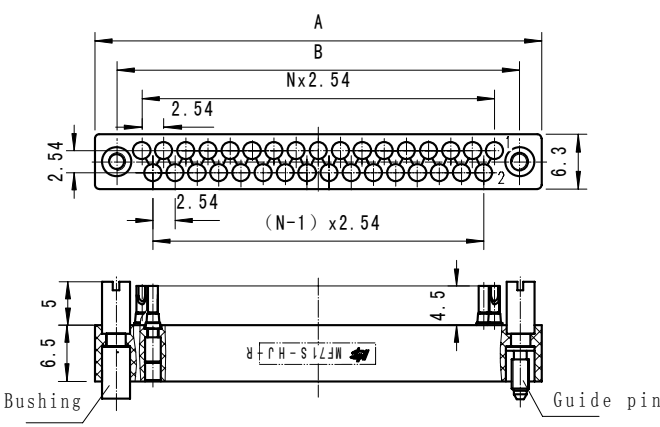
### 3. Elbow receptacle (installed with socket)



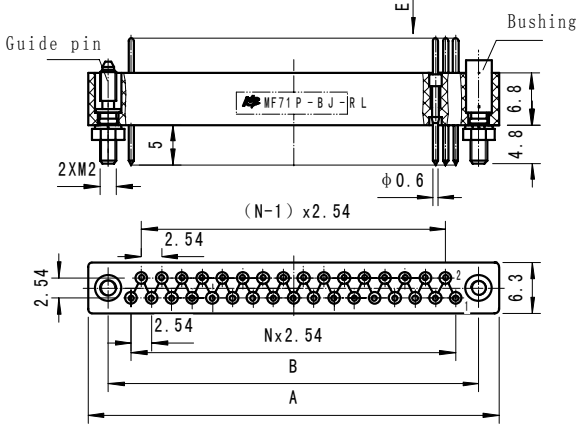
PCB cut size



#### 4. Free plug ( installed with socket)

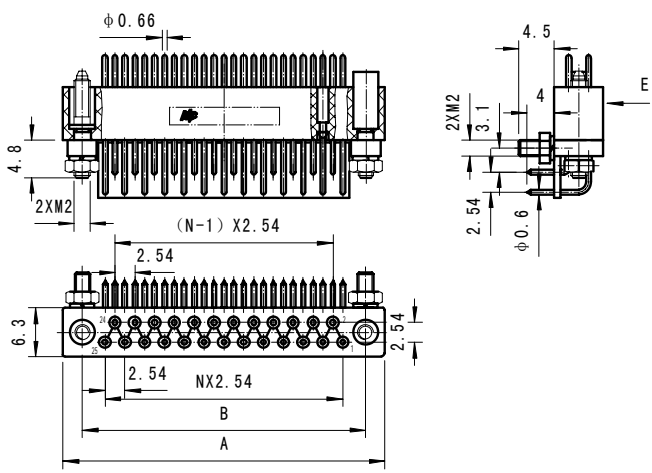
	Type of the plug	A	B	N
	MF71S9HJ-R	21.0	16.1	4
	MF71S17HJ-R	31.0	26.1	8
	MF71S25HJ-R	41.3	36.3	12
	MF71S33HJ-R	51.5	46.4	16
	MF71S41HJ-R	61.8	56.6	20
	MF71S67HJ-R	95.8	90.6	33
	MF71S77HJ-R	108.5	103.3	38

#### 5. Straight receptacle ( installed with pin)

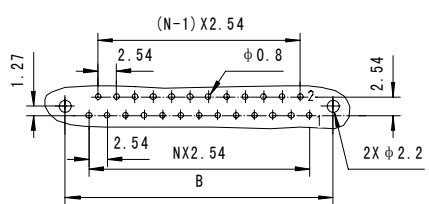
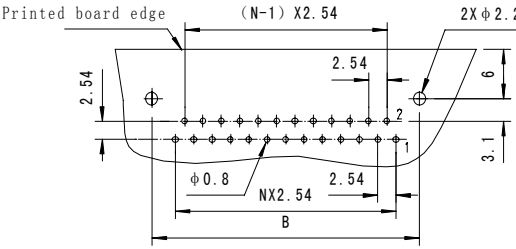
	Type of the receptacle	A	B	N
	MF71P9BJ-RL	21.0	16.1	4
	MF71P17BJ-RL	31.0	26.1	8
	MF71P25BJ-RL	41.3	36.3	12
	MF71P33BJ-RL	51.5	46.4	16
	MF71P41BJ-RL	61.8	56.6	20



### 6. Elbow receptacle ( installed with pin)

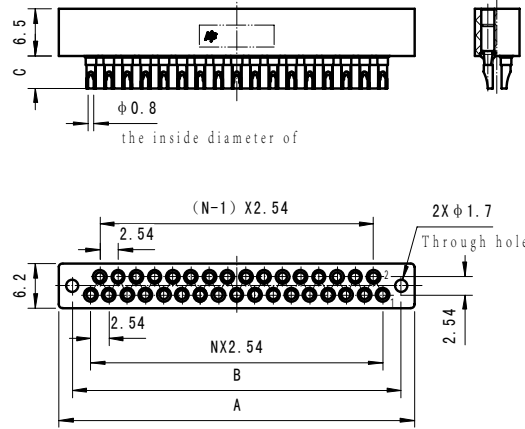
	Type of the receptacle	A	B	N
	MF71P9WJ-RL-01	21.0	16.1	4
	MF71P17WJ-RL	31.0	26.1	8
	MF71P25WJ-RL	41.3	36.3	12
	MF71P33WJ-RL	51.5	46.4	16
	MF71P41WJ-RL	61.8	56.6	20
	MF71P67WJ-RL	95.8	90.6	33
	MF71P77WJ-RL	108.5	103.3	38

PCB cut-out dimension

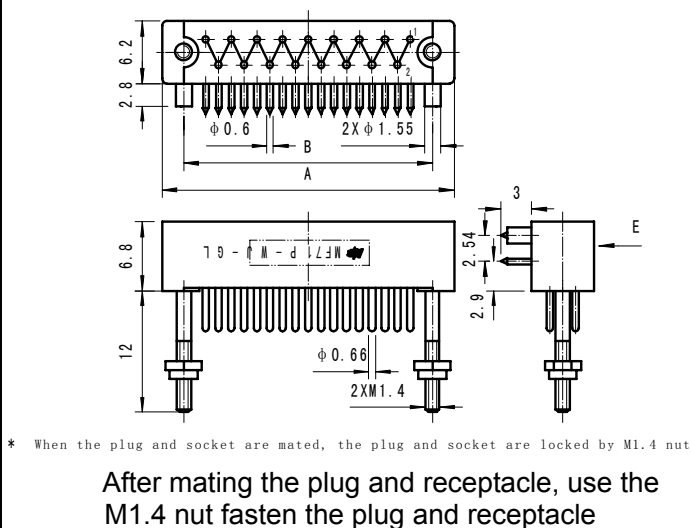
<p>Recommended printed circuit board size (to E)</p> 	<p>Recommended printed circuit board size (to E)</p> 
--	---

## II . Free plug and elbow PCB receptacle

### 1. MF71S-HJ Free plug MF71S-HJ

	Type of the plug	A	B	C	N
	MF71S9HJ	21.0	16.1	4.5	4
	MF71S17HJ	29.0	25.2 6	4	8
	MF71S25HJ	41	37	4.5	12
	MF71S33HJ	49.5	45.7 6	4.5	16

## 2. Receptacle EA45P-WJ-GL

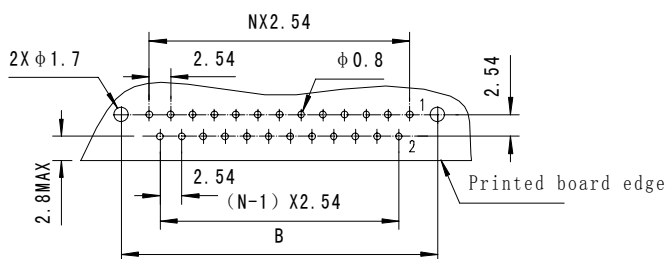


\* When the plug and socket are mated, the plug and socket are locked by M1.4 nut.

After mating the plug and receptacle, use the M1.4 nut fasten the plug and receptacle

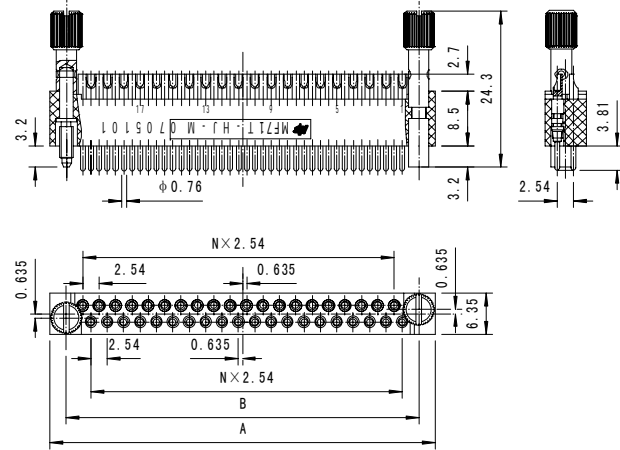
Type of the receptacle	A	B	N
MF71P9WJ-GL	21.0	16.1	4
MF71P17WJ-GL	29.0	25.26	8
MF71P25WJ-GL	41	37	12
MF71P33WJ-GL	49.5	45.76	16

MF71P-WJ-GL Recommended printed circuit board opening size (E direction)

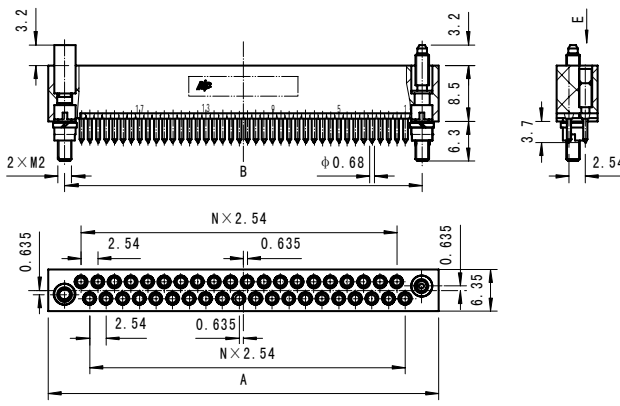


### III. Free plug and PCB receptacle

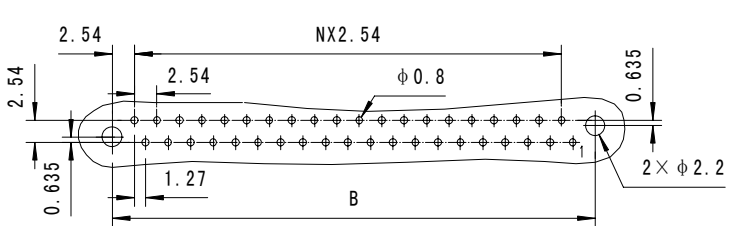
#### 1. Free plug MF71T-HJ-M

	Type of the plug	A	B	N
	MF71T40HJ-M	59.7	54.61	19
	MF71T60HJ-M	85	80.01	29
	MF71T66HJ-M	92.71	87.63	32
	MF71T70HJ-M	97.7	92.71	34

#### 2 Receptacle MF71Z-B2J-F

	Type of the receptacle	A	B	N
	MF71Z40B2J-F	59.7	54.61	19
	MF71Z60B2J-F	85	80.01	29
	MF71Z66B2J-F	92.71	87.63	32
	MF71Z70B2J-F	97.7	92.71	34

#### PCB cut-out dimension

<p>MF71Z-B2J-F Recommended printed circuit board opening size (E direction)</p> 
--