

## MF70 series electric connectors

### Product Introduction

- Comply with GJB1438/4-2002
- Hyperboloid wire spring socket
- 2.54mm standard grid gap
- Refer to the general specification of MIL-C-55302
- Termination form: PCB dip soldering, soldering etc
- Screw thread guide pin, guide bushing with locking function
- Fixed form: riveting, screw-thread fastening
- Execution enterprise standard: 21E0.204.036JT

### Main technical performance

—Contact resistance, current rating of contacts

Contacts dia. (mm)	Contact resistance ( $\Omega$ )	Current rating (A)
$\Phi 0.635$	$\leq 0.025$	1
$\Phi 0.76$	$\leq 0.0125$	2

—Voltage rating: 250V

—Withstand voltage: Normal temperature 1500V, damp heat 750V

—Insulation resistance: normal temperature  $\geq 1000M\Omega$ , damp heat  $\geq 20M\Omega$

—Operating temp:  $-55^{\circ}C \sim +125^{\circ}C$

—Relative humidity (RH):  $40^{\circ}C$ , 95%

—Vibration: frequency 10~2000Hz, acceleration  $147m/s^2$

—Shock: Acceleration  $294m/s^2$

—Endurance: 1000 cycles

### Ordering Information

No.	Classify Characteristics	Classify contents	Mark
1	Basic series	PCB electrical connectors series 27	MF70
2	Remodel mark	A	adapting function
		B	Groove receptacle
		E	$\Phi 0.635$ contacts
3	Structure type	Plug installed with pin	T
		Receptacle installed with socket	Z
4	Number of contacts	6、8、10、14、26...	marked number
5	Terminating form	PCB dip soldering straight	B
		PCB dip soldering elbow	W
		Wire soldering	H
6	Plating	gold plating	J

Note: Please see the specific types in MF70 plug, receptacle mating correlation chart. If there is any special demand, please contact with our company.

### [Type marking example]

Contacts number: 44, plug installed with pin, termination form: dip soldering straight; receptacle installed with socket, termination form: dip soldering straight, pin and socket with gold plating, type of the plug: MF70T44 BJ, type of the receptacle: MF70Z44BJ, type of the electrical connector: MF70Z44 BJ/ BJ.

**MF70 plug, receptacle mating correlation chart**

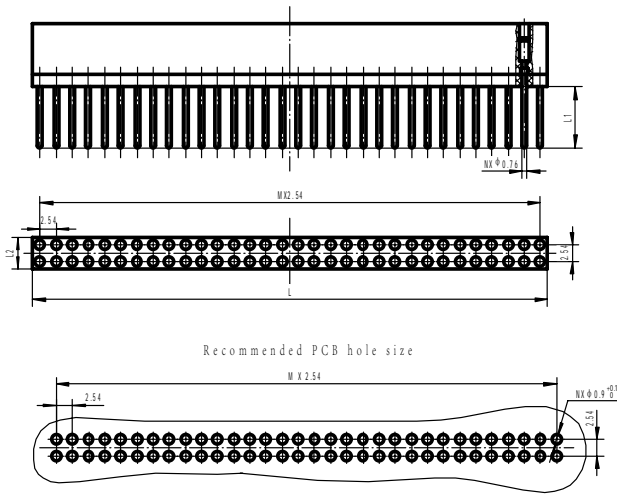
No.	Type of the plug	Type of the mating receptacle
1	MF70ET2BJ	MF70EZ2BJ
2	MF70ET3BJ	MF70EZ3BJ
3	MF70AT4BJ-02	MF70AZ4BmJ
4	MF70AT5BJ-02	MF70AZ5BmJ
5	MF70T6BJ	MF70Z6BJ
6	MF70AT6BJ-02	MF70AZ6BJ
7	MF70T8HJ	MF70Z8B1J
		MF70Z8B2J
		MF70CZ8WJ
8	MF70T8BJ	MF70Z8B1J
		MF70Z8B2J
		MF70CZ8WJ
9	MF70AT8BJ-02	MF70AZ8BmJ
10	MF70T10HJ	MF70Z10B1J
		MF70Z10B2J
		MF70BZ10BJ
11	MF70T10BJ	MF70Z10B1J
		MF70Z10B2J
		MF70BZ10BJ
12	MF70AT10BJ-02	MF70AZ10BmJ
13	MF70AT12BJ-02	MF70AZ12BmJ
14	MF70AT20BJ-02	MF70AZ20BmJ
15	MF70AT24BJ-02	MF70AZ24BmJ
16	MF70AT26BJ	MF70AZ26BmJ
17	MF70AT26BJ-02	MF70AZ26BmJ
18	MF70AT40BJ	MF70AZ40BJ
		MF70AZ40BJ-01
		MF70AZ40BmJ
19	MF70AT40HJS	MF70AZ40BJS-01
20	MF70AT40BJ-02	MF70AZ40BmJ
21	MF70T44BJ	MF70Z44B1J
		MF70Z44B2J
22	MF70AT64BJ-02	MF70AZ64BmJ
23	MF70AT72HJS	MF70AZ72BJS-01
24	MF70AT80BJ	MF70AZ80BmJ
25	MF70AT82BJ-02	MF70AZ82BmJ

Note: MF70AZ14BJ、MF70AZ16BJ、MF70AZ18BJ、MF70AZ30BJ、MF70AZ72BJ etc.

Adapting receptacle is available

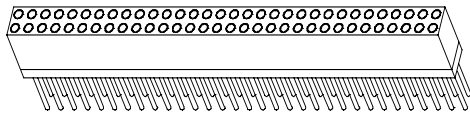
### Outline dimensions

#### MF70 adapting receptacle



Type of receptacle	L	L2	M
MF70AZ4BmJ	10.16	2.54	3
MF70AZ5BmJ	12.7	2.54	4
MF70AZ6BmJ	7.62	5.08	2
MF70AZ8BmJ	10.16	5.08	3
MF70AZ10BmJ	12.7	5.08	4
MF70AZ12BmJ	15.24	5.08	5
MF70AZ14BmJ	17.78	5.08	6
MF70AZ16BmJ	20.32	5.08	7
MF70AZ18BmJ	22.86	5.08	8
MF70AZ20BmJ	25.4	5.08	9
MF70AZ24BmJ	30.48	5.08	11
MF70AZ26BmJ	33.02	5.08	12
MF70AZ30BmJ	38.1	5.08	14
MF70AZ40BmJ	50.8	5.08	19
MF70AZ64BmJ	81.3	5.08	31
MF70AZ72BmJ	91.45	5.08	35
MF70AZ80BmJ	101.6	5.08	39
MF70AZ82BmJ	104.14	5.08	40

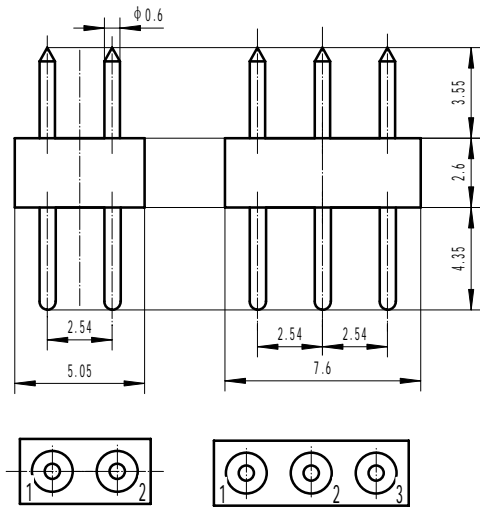
#### MF70AZnBmJ



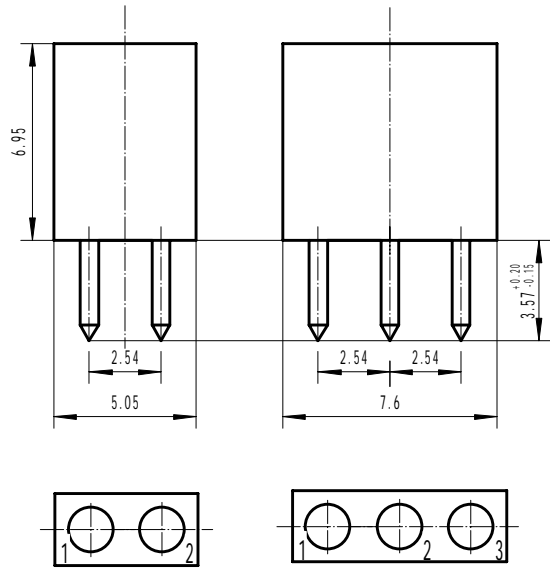
Type of receptacle	L1
MF70AZnB1J	1.0
MF70AZnB2J	5.5
MF70AZnB3J	7.5
MF70AZnB4J	8.5
MF70AZnB5J	9.2
MF70AZnB6J	14.0
MF70AZnB7J	12.5
MF70AZnB8J	4

Note: 4 cores, 5 cores single row  
Contact specification  $\Phi 0.635$

Plug MF70ET2(3)BJ

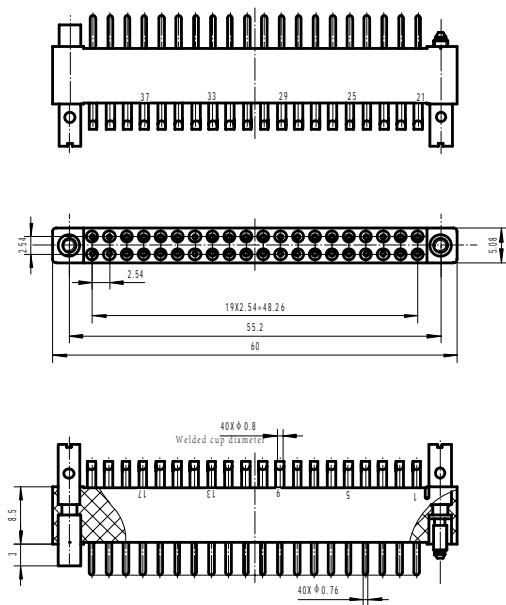


Receptacle MF70EZ2(3)BJ

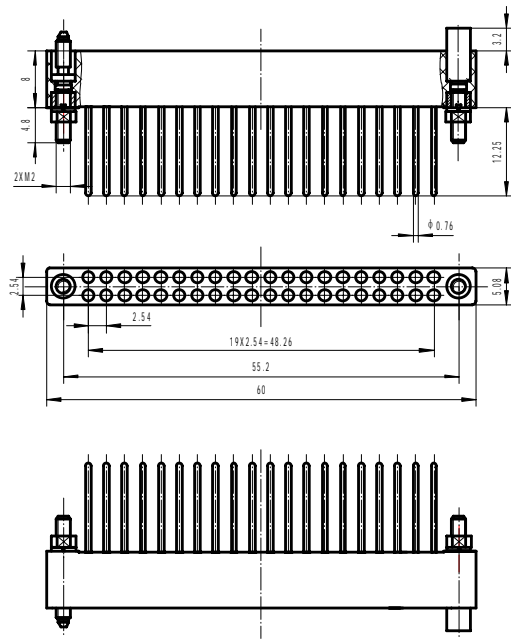


MF70 plug, receptacle with locking function]

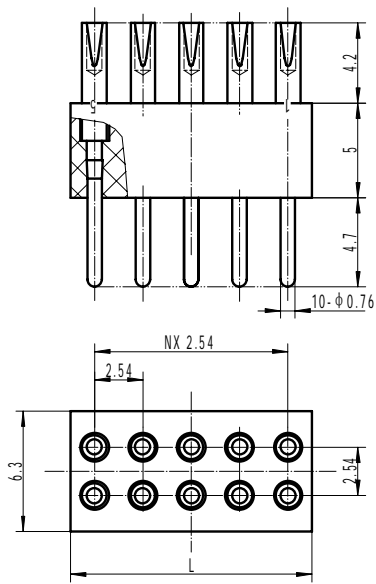
Plug MF70AT40HJS



Receptacle MF70AZ40BJS-01

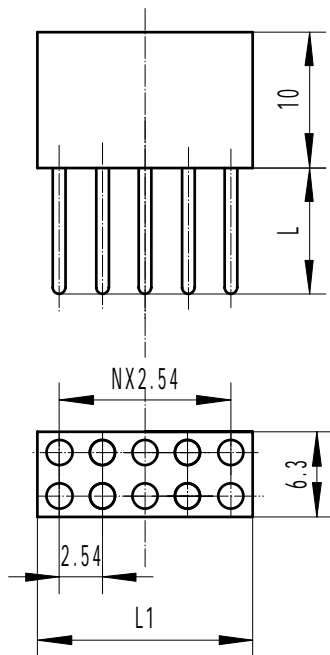


### Plug MF70TnHJ



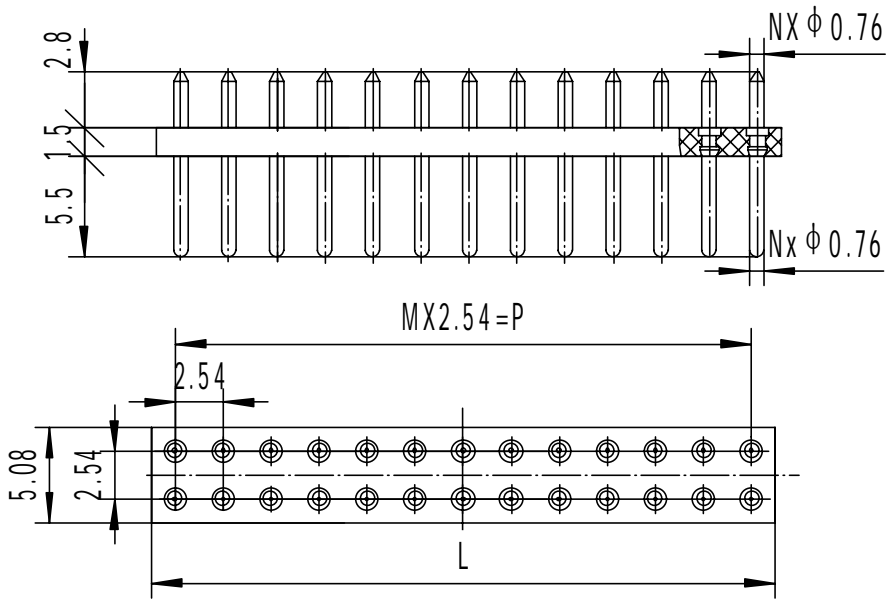
Type	N	L
MF70T8HJ	3	10.16
MF70T10HJ	4	12.7

### Receptacle MF70ZnBJ



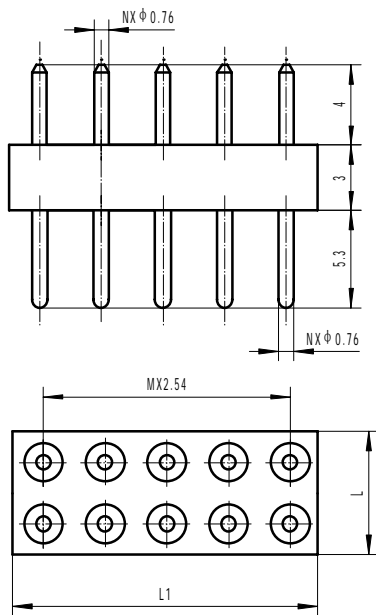
Type	L	L1	N
MF70Z8B1J	3.2	10.16	3
MF70Z8B2J	12.7	10.16	3
MF70Z10B1J	3.2	12.7	4
MF70Z10B2J	12.7	12.7	4

Plug MF70ATnBJ



model	L	P	M	N
MF70 A T 2 6 B J 3	33.02	3.02	30	26
MF70 A T 4 0 B J 3	48.26	3.02	19	40

MF70 adpating plug  
 Switching plug  
 MF70AT-02



Type	L	L1	M
MF70AT4BJ-02	2.54	10.16	3
MF70AT5BJ-02	2.54	12.7	4
MF70AT6BJ-02	5.08	7.62	2
MF70AT8BJ-02	5.08	10.16	3
MF70AT10BJ-02	5.08	12.7	4
MF70AT12BJ-02	5.08	15.24	5
MF70AT20BJ-02	5.08	25.4	9
MF70AT24BJ-02	5.08	30.48	11
MF70AT26BJ-02	5.08	33.02	12
MF70AT40BJ-02	5.08	50.8	19
MF70AT64BJ-02	5.08	81.28	31
MF70AT82BJ-02	5.08	104.14	40

Note: 4 cores, 5 cores single row