

MF15 series electric connectors

Product Introduction

- Hyperboloid wire spring socket
- Refer to the general specification of MIL-C-55302
- 2.54mm standard grid gap
- Termination form: PCB dip soldering
- Anti-mis-mating guide pin, guide bushing can provide 8×8=64 kinds of identification
- Application range: printed circuit connection
- Execution enterprise standard: 21E0.204.036JT

Main technical performance

- Contacts diameter: $\Phi 0.76$
- Contact resistance: $\leq 10\text{m}\Omega$
- Current rating: 3A
- Voltage rating: 250V (DC or 50Hz AC effective value)
- Withstand voltage: 1000 V
- Insulation resistance: normal temperature $\geq 1000\text{M}\Omega$, damp heat $\geq 20\text{M}\Omega$
- Vibration: frequency 10~2000Hz, PSD(power spectral density): $0.09\text{g}^2/\text{Hz}$
- Shock: 200m/s^2
- Operating temperature: $-55^\circ\text{C} \sim +125^\circ\text{C}$, 95%
- Salt spray: 48h
- Endurance: 1000 cycles

Ordering Information

MF 15 T 30 W J
1 2 3 4 5 6

1 Basic series: PCB electrical connectors

2 Serial number: 41

3 Structure type: Z- Receptacle (installed with socket) T-plug (installed with pin)

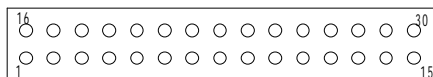
4 Contacts number: 30、50、60、80、100

5 Terminating form: B-straight dip soldering, W- elbow dip soldering

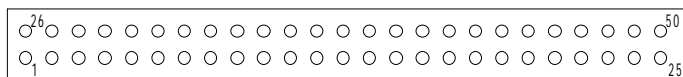
6 Contacts plating: J-gold plating, no marking-silver plating

Contact layout (front face of pin inserts illustrated)

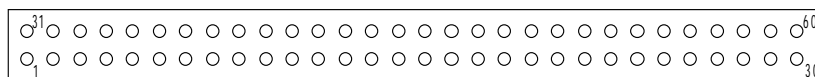
30 cores



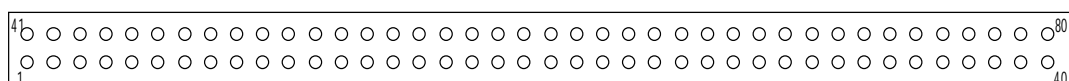
50 cores



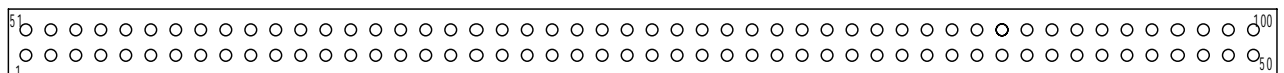
60 cores



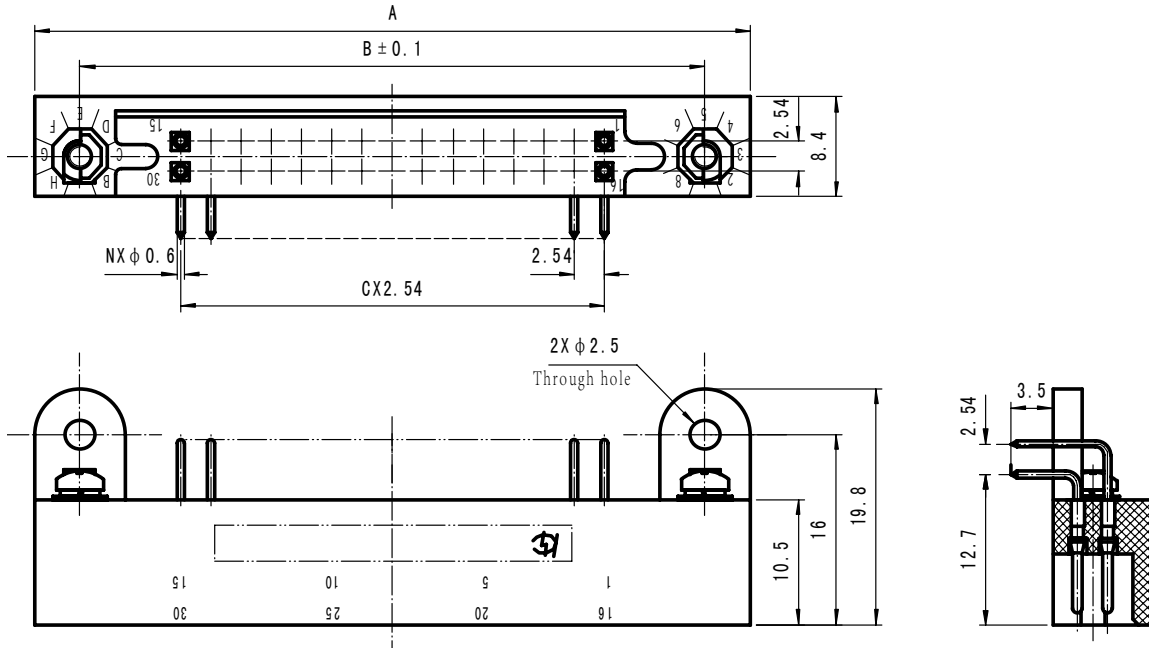
80 cores



100 cores



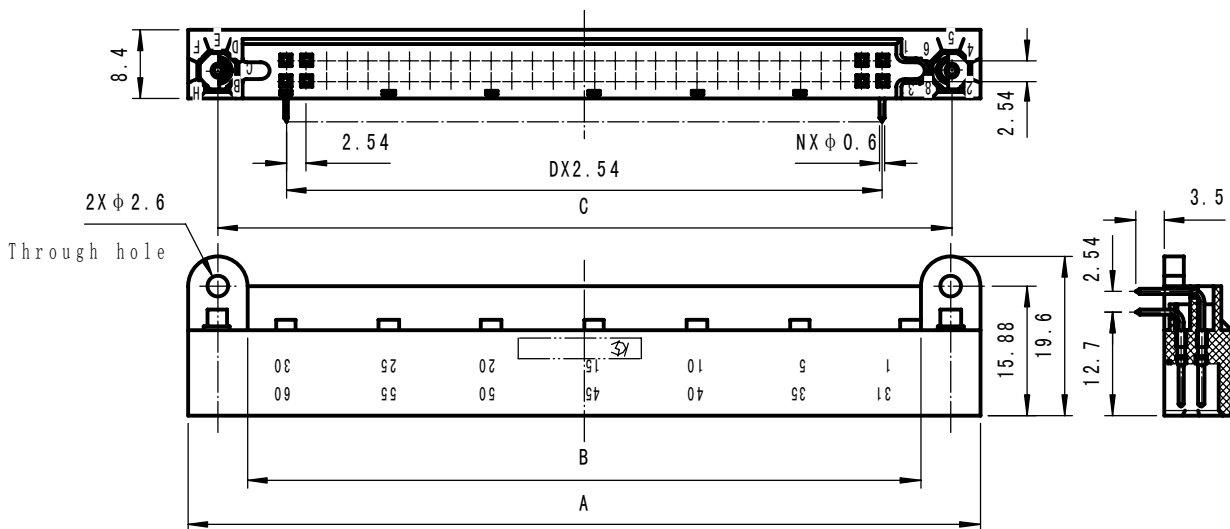
Outline dimensions
 Plug MF15T30WJ
 MF15T50WJ



Take the MF15T30WJ for example

Type	Corresponding GJB type	A	B	C	N
MF15T30WJ	J1438/110-10	60.1	52.45	14	30
MF15T50WJ	J1438/110-12	85.5	77.85	24	50

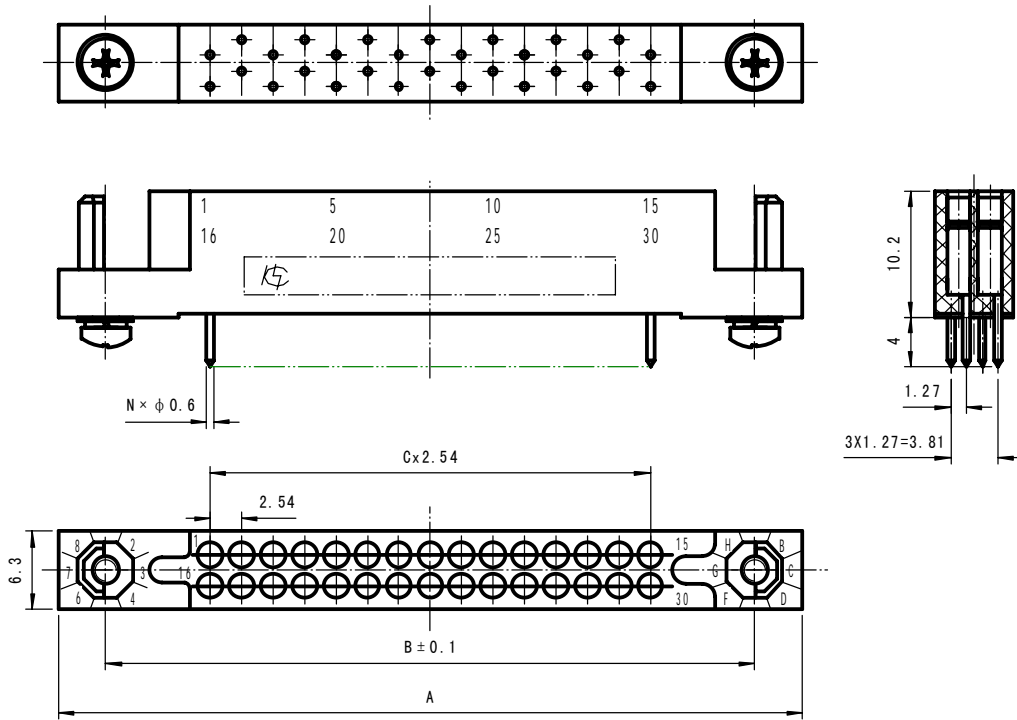
Plug MF15T60WJ MF15T80WJ MF15T100WJ



Take the MF15T60WJ for example

Type	Corresponding GJB type	A	B	C	D	N
MF15T60WJ	J1438/110-13	97.9	83.2	90.55	29	60
MF15T80WJ	J1438/110-15	123.3	108.6	115.95	39	80
MF15T100WJ	J1438/110-17	148.7	134	141.35	49	100

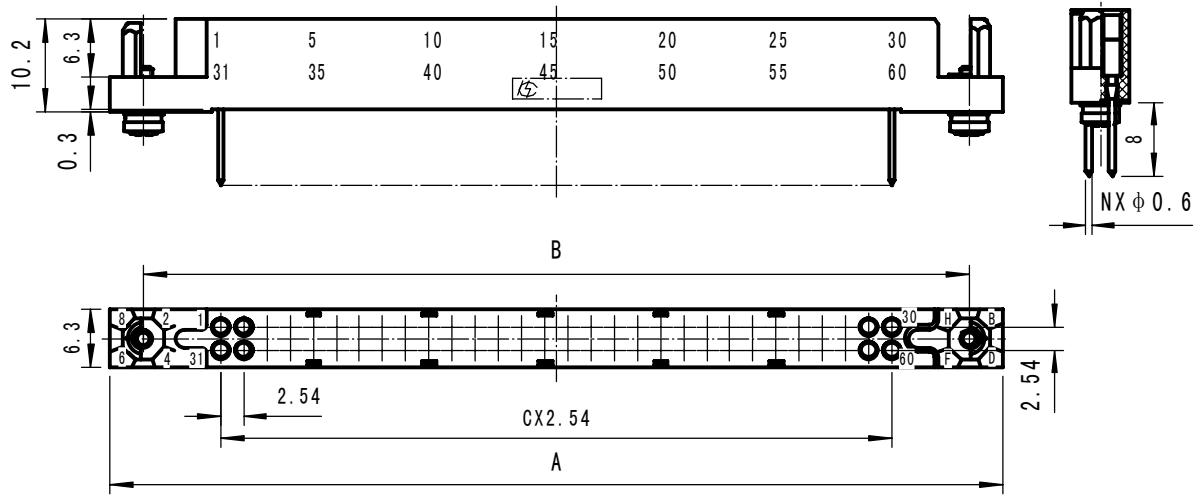
Receptacle MF15Z30BJ MF15Z50BJ



Take the MF15Z30BJ for example

Type	Corresponding GJB type	A	B	C	N
MF15Z30BJ	J1438/27-91	60.1	52.45	14	30
MF15Z50BJ	J1438/27-93	85.5	77.85	24	50

Receptacle MF15Z60BJ MF15Z80BJ MF15Z100BJ



Take the EA39Z60BJ for example

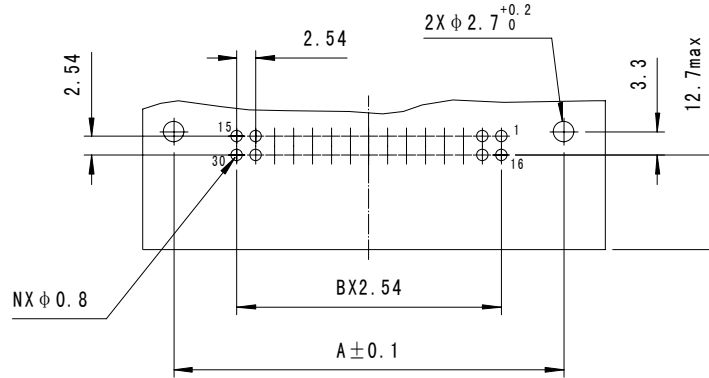
Type	Corresponding GJB type	A	B	C	N
MF15Z60BJ	J1438/27-112	97.9	90.55	29	60
MF15Z80BJ	J1438/27-114	123.3	115.95	39	80
MF15Z100BJ	J1438/27-116	148.7	141.35	49	100

■ Recommended PCB cut-size

Recommended plug PCB cut-out dimensions

MF15T30WJ MF15T50WJ recommended PCB cut- out

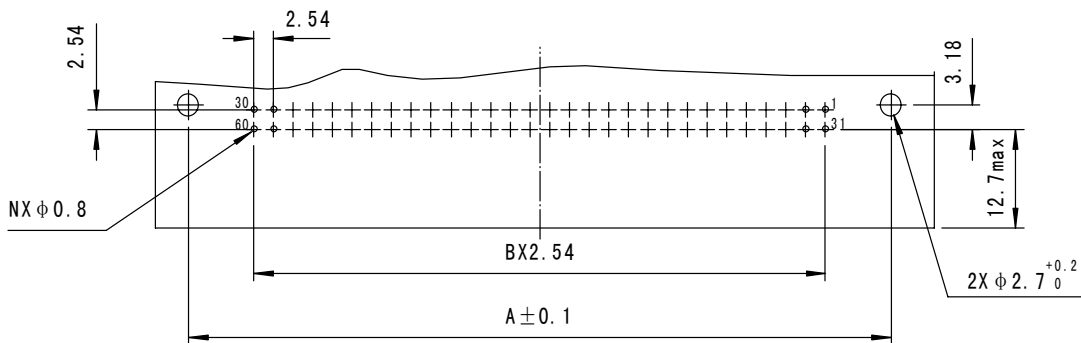
dimensions



● The graphical representation takes the MF15T30WJ for example

Type	Corresponding GJB type	A	B	N
MF15T30WJ	J1438/110-10	52.45	14	30
MF15T50WJ	J1438/110-12	77.85	24	50

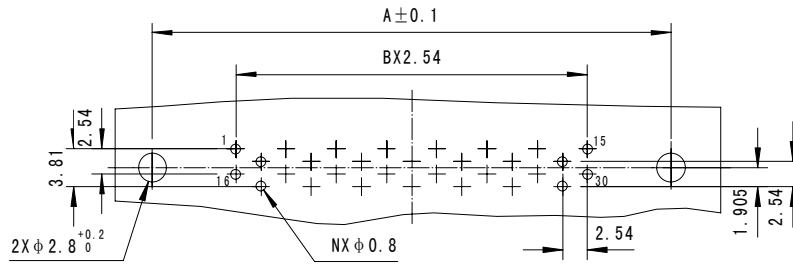
MF15T60WJ MF15T80WJ MF15T100WJ recommended PCB cut- out dimensions



● The graphical representation takes the MF15T60WJ for example

Type	Corresponding GJB type	A	B	N
MF15T60WJ	J1438/110-13	90.55	29	60
MF15T80WJ	J1438/110-15	115.95	39	80
MF15T100WJ	J1438/110-17	141.35	49	100

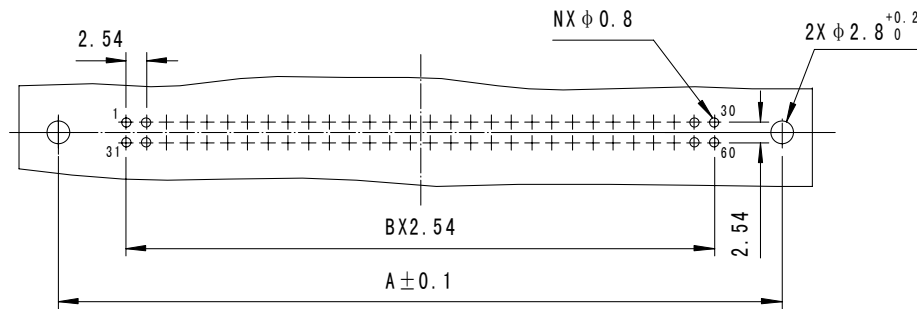
Recommended receptacle PCB cut-size
MF15Z30BJ MF15Z50BJ recommended PCB cut- out dimensions



● The graphical representation takes the MF15Z30BJ for example

Type	Corresponding GJB type	A	B	N
MF15Z30BJ	J1438/27-91	52.45	14	30
MF15Z50BJ	J1438/27-93	77.85	24	50

MF15Z60BJ MF15Z80BJ MF15Z100BJ recommended PCB cut- out dimensions



● The graphical representation takes the MF15Z60BJ for example

Type	Corresponding GJB type	A	B	N
MF15Z60BJ	J1438/27-112	90.55	29	60
MF15Z80BJ	J1438/27-114	115.95	39	80
MF15Z100BJ	J1438/27-116	141.35	49	100