

## MF11 series electric connector

### Product Introduction

- Comply with the general specification of GJB 1438
- $\Phi 0.6$  hyperboloid wire spring socket
- 1.905mm grid gap
- Nine specifications: 36、48、66、96、110、152、186、202、220 cores
- Enterprise standard: 21E0.204.122JT

### Main technical performance

- Contacts diameter:  $\Phi 0.6\text{mm}$
- Contact resistance:  $\leq 0.007\Omega$
- Current rating: 2A
- Insulation resistance: normal temperature  $\geq 1000\text{M}\Omega$ , damp heat  $\geq 100\text{M}\Omega$
- Withstand voltage

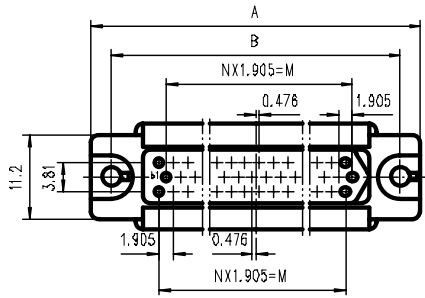
Air pressure KPa	Altitude m	Voltage V(AC RMS)
101.3	Sea level	800
4.4	21336	250
2.5	25000	175

- Ambient temperature:  $-55^{\circ}\text{C}\sim+125^{\circ}\text{C}$
- Relative humidity (RH):  $40\pm 2^{\circ}\text{C}$ , 98%
- Vibration: frequency 10~2000Hz, acceleration  $147\text{m/s}^2$
- Shock: Acceleration  $490\text{m/s}^2$
- Endurance: 1000 cycles

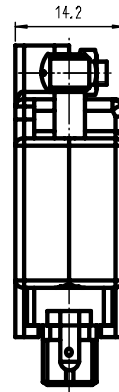
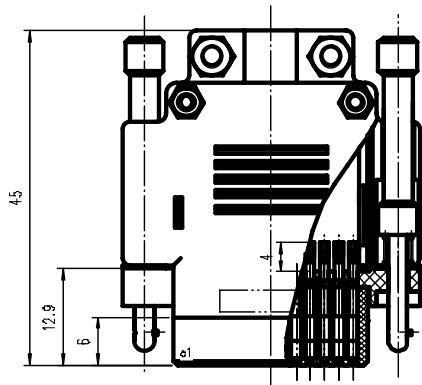
### Ordering Information

No.	Classify Characteristics	Classify contents	Mark
1	Basic series	Rectangular PCB electrical connectors series 33	MF11
2	Structure type	Plug (installed with pin)	T
		Receptacle ( installed with socket)	Z
		Plug ( installed with socket)	S
		Receptacle (installed with pin)	P
		Multi-tap (pin in one side, socket another side)	LZ
3	Number of contacts	36, 48, 66, 96, 110, 152, 186, 202, 220	Marked number
4	Terminating form	Wire soldering	H
		Elbow PCB dip soldering	W
		Straight PCB dip soldering straight	B
5	Contacts plating	Gold plating	J
6	Type of bushings	Plastic bushings	No mark
		Metal bushings	A
7	Remodel mark	-01, -02.....	-01, -02.....

plug MF11S36HJ MF11S48HJ

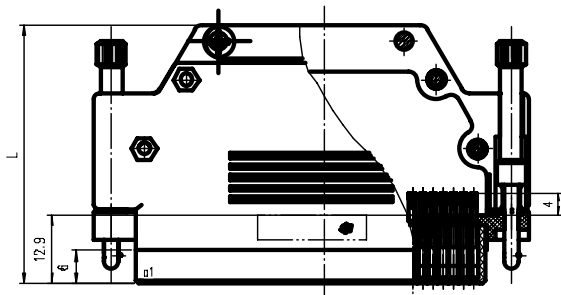
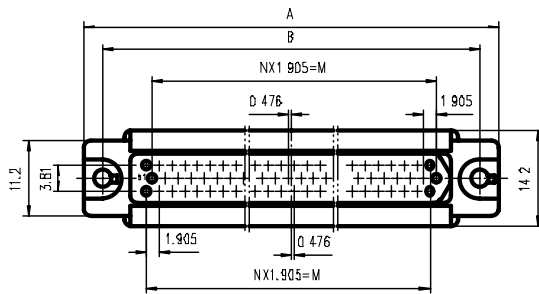


model	A	B	N	M
MF11S36HJ	40.0	34.0	11	20.955
MF11S48HJ	47.6	41.6	15	28.575



\* Wire cup inner diameter  $\Phi 0.7$

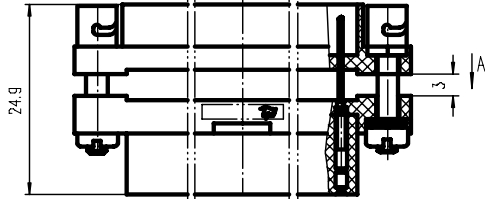
plug MF11S66HJ MF11S96HJ



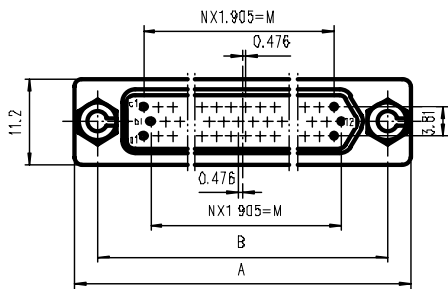
model	A	B	N	M	L
MF11S66HJ	61.0	54.6	21	40.005	45.0
MF11S96HJ	80.0	73.6	31	59.055	48.0

\* Wire cup inner diameter  $\Phi 0.7$

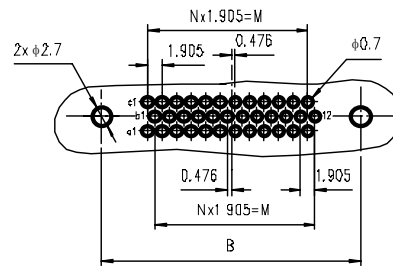
Transfer socket MF11LZ36 MF11LZ48 MF11LZ96



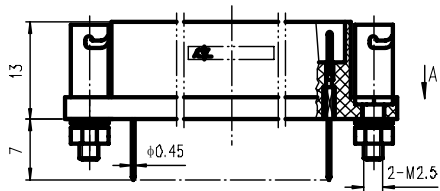
model	A	B	N	M
MF11LZ36	40.0	34.0	11	20.955
MF11LZ48	47.6	41.6	15	28.575
MF11LZ96	80.0	73.6	31	59.055



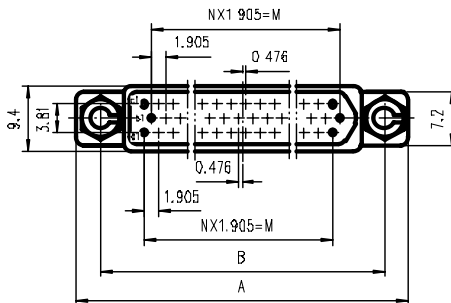
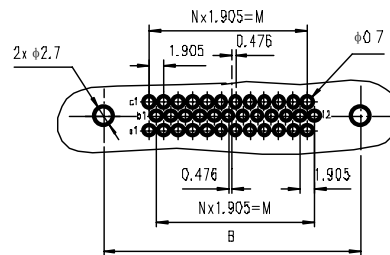
Printed board opening size (to A)



socket MF11P36BJ MF11P48BJ MF11P66BJ MF11P96BJ

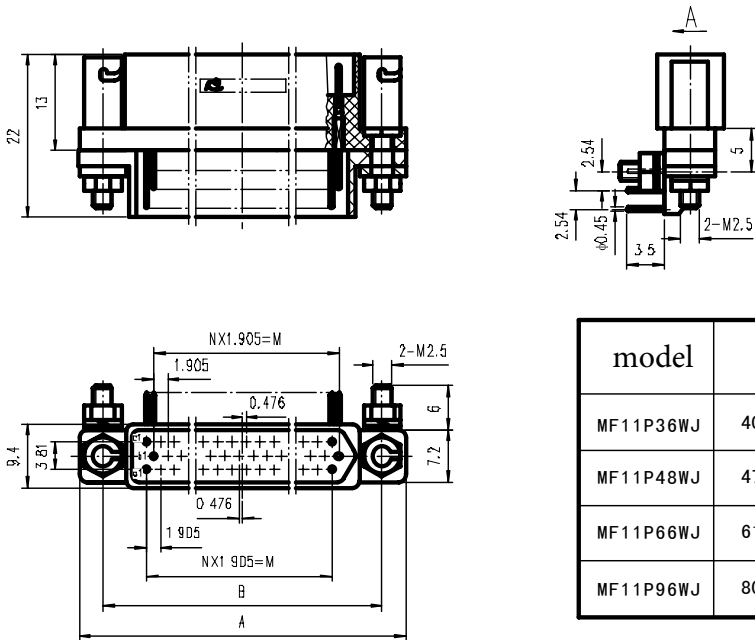


Printed board opening size (to A)



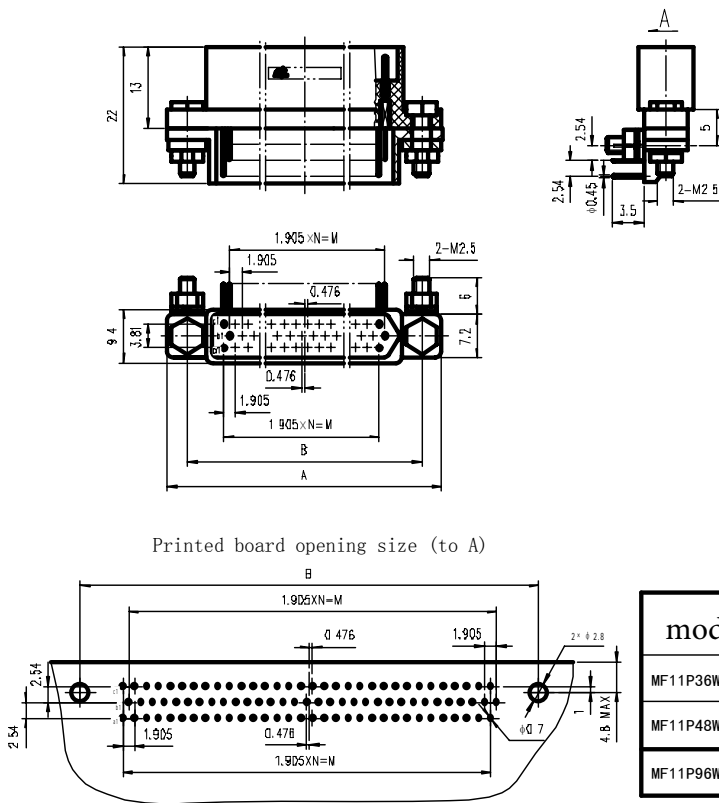
model	A	B	N	M
MF11P36BJ	40.0	34.0	11	20.955
MF11P48BJ	47.6	41.6	15	28.575
MF11P66BJ	61.0	54.6	21	40.005
MF11P96BJ	80.0	73.6	31	59.055

socket MF11P36WJ、MF11P48WJ、MF11P66WJ、MF11P96WJ



model	A	B	N	M
MF11P36WJ	40.0	34.0	11	20.955
MF11P48WJ	47.6	41.6	15	28.575
MF11P66WJ	61.0	54.6	21	40.005
MF11P96WJ	80.0	73.6	31	59.055

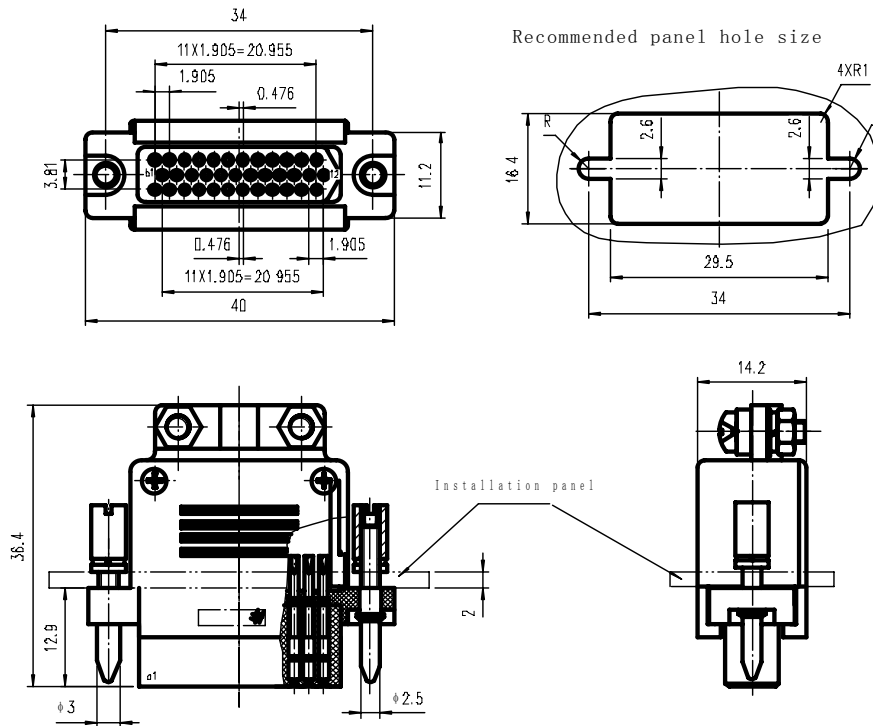
socket MF11P36WJ01 MF11P48WJ01 MF11P96WJ01



model	A	B	N	M
MF11P36WJ01	40.0	34.0	11	20.955
MF11P48WJ01	47.6	41.6	15	28.575
MF11P96WJ01	80.0	73.6	31	59.055

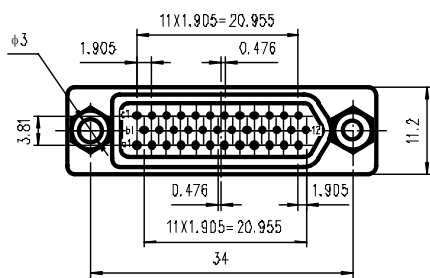
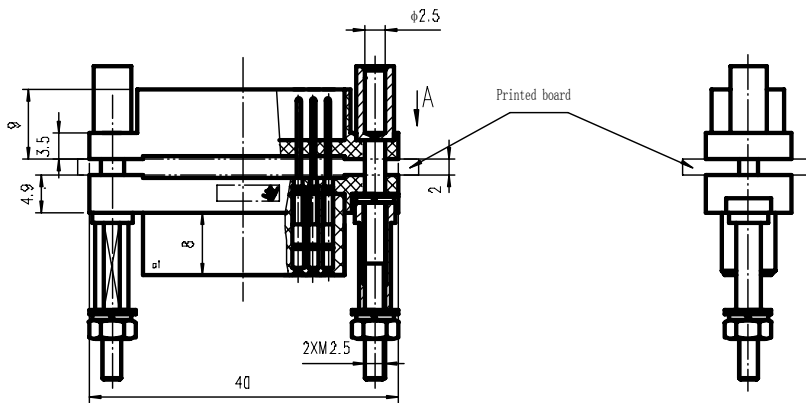


plug MF11S36HJ03

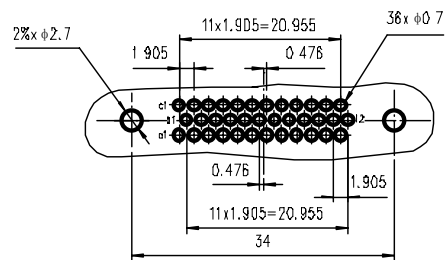


\* Welded cup diameter  $\Phi 0.7$

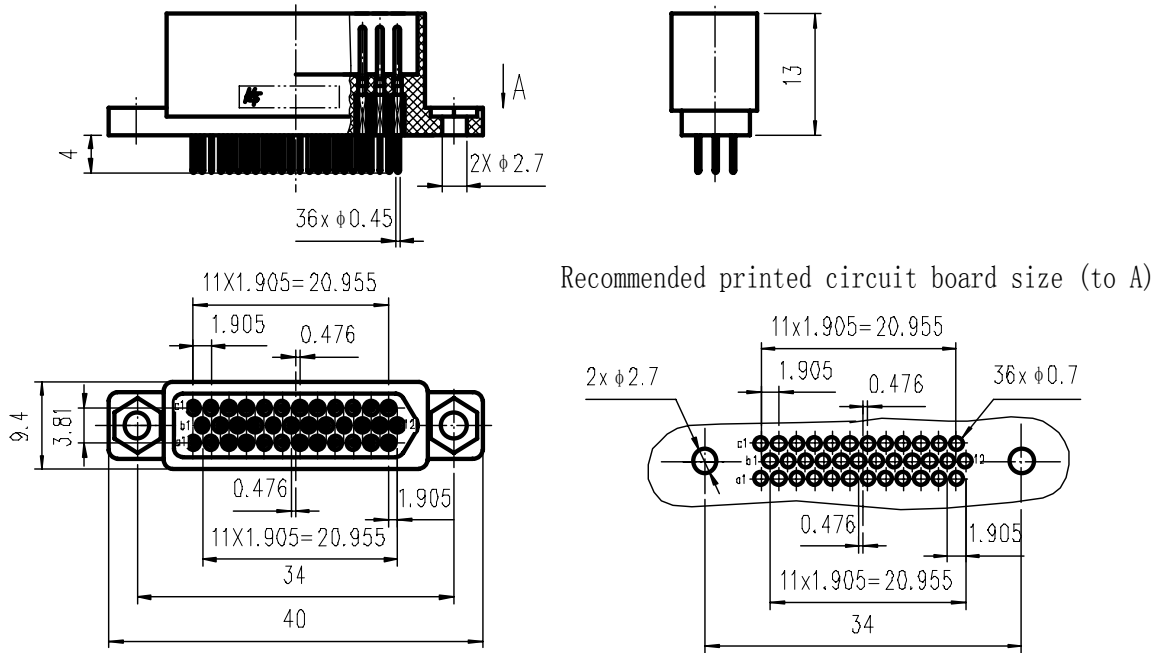
Transfer socket MF11LZ36-03



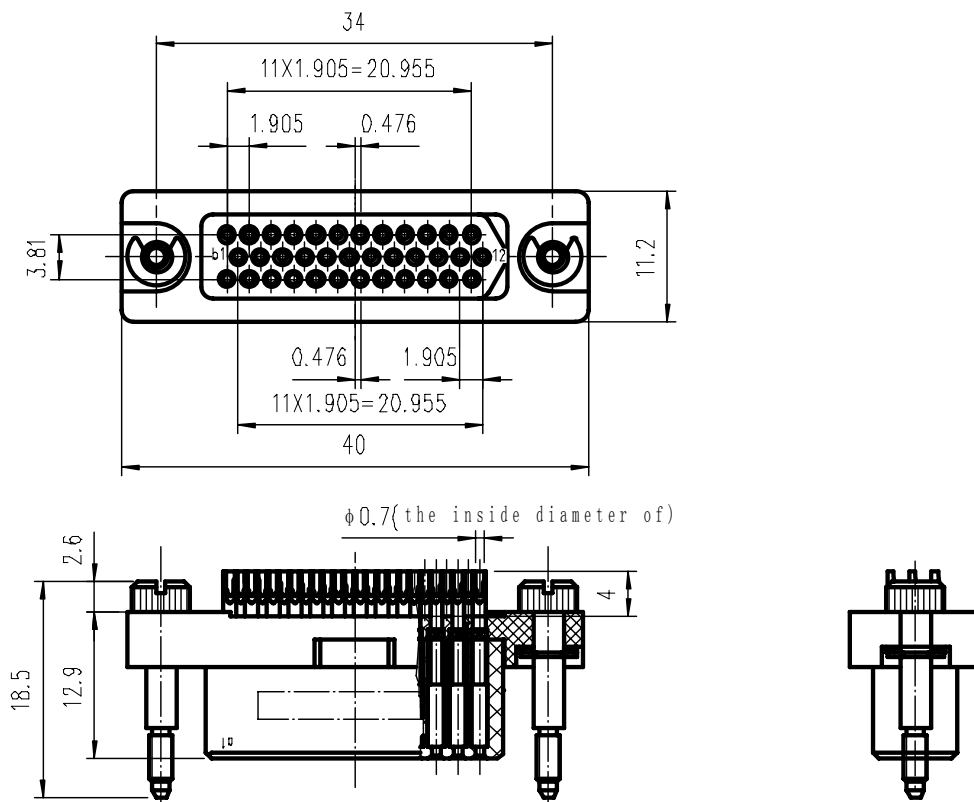
Recommended printed circuit board size (to A)



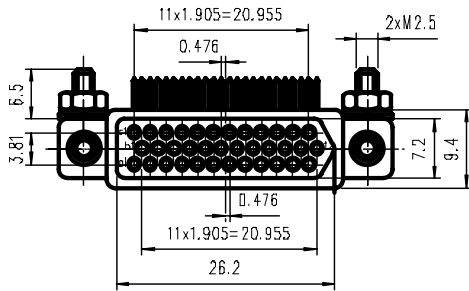
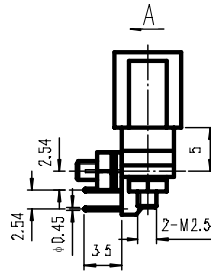
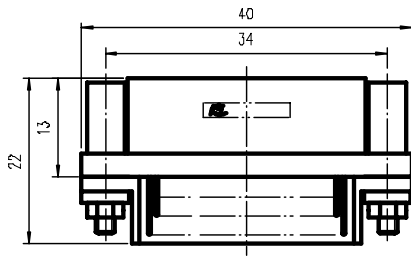
socket MF11P36BJ03



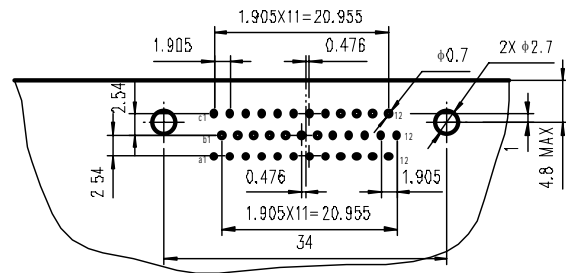
plug MF11S36HJ04



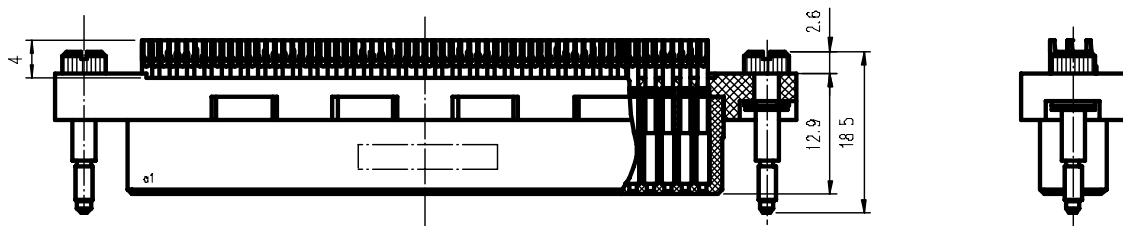
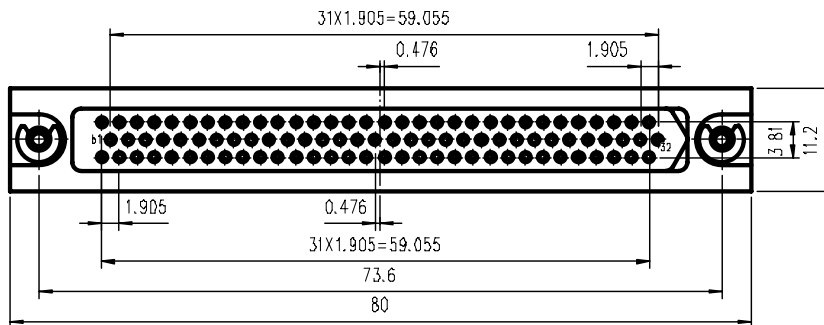
socket MF11P36WJ04



Recommended printed circuit board size (to A)



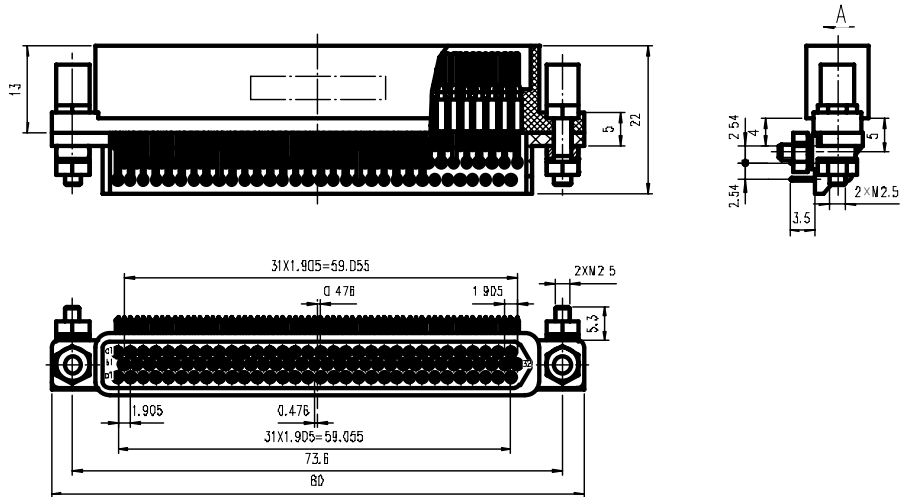
plug MF11S96HJ04



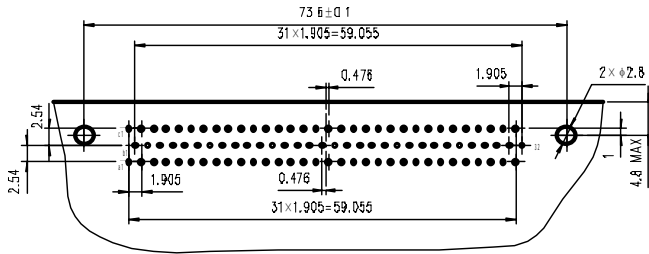




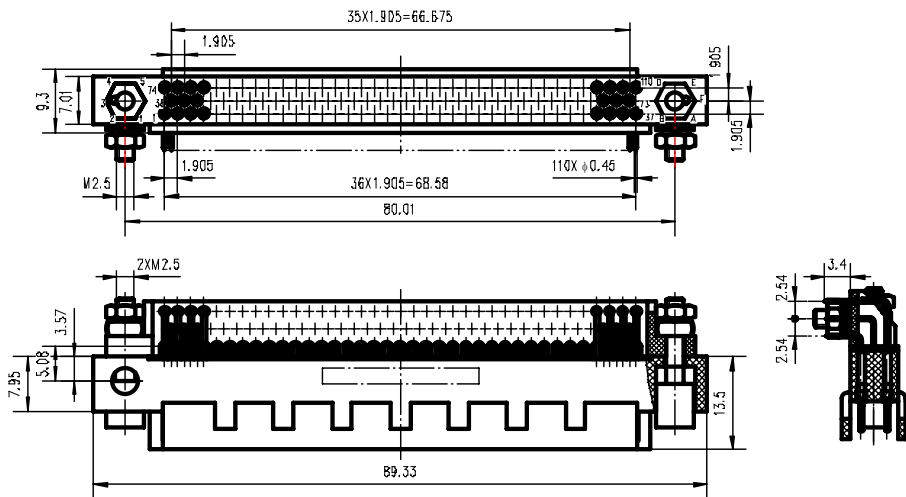
### socket MF11P96WJ04



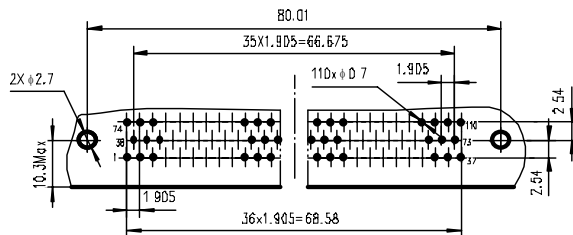
Recommended printed circuit board size (to A)



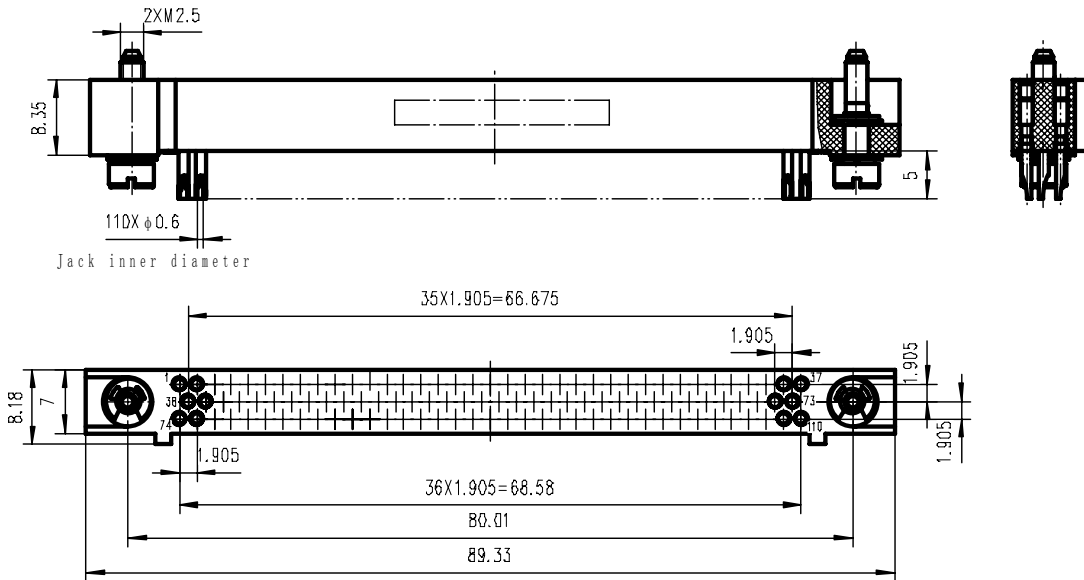
### plug MF11T110WJ04



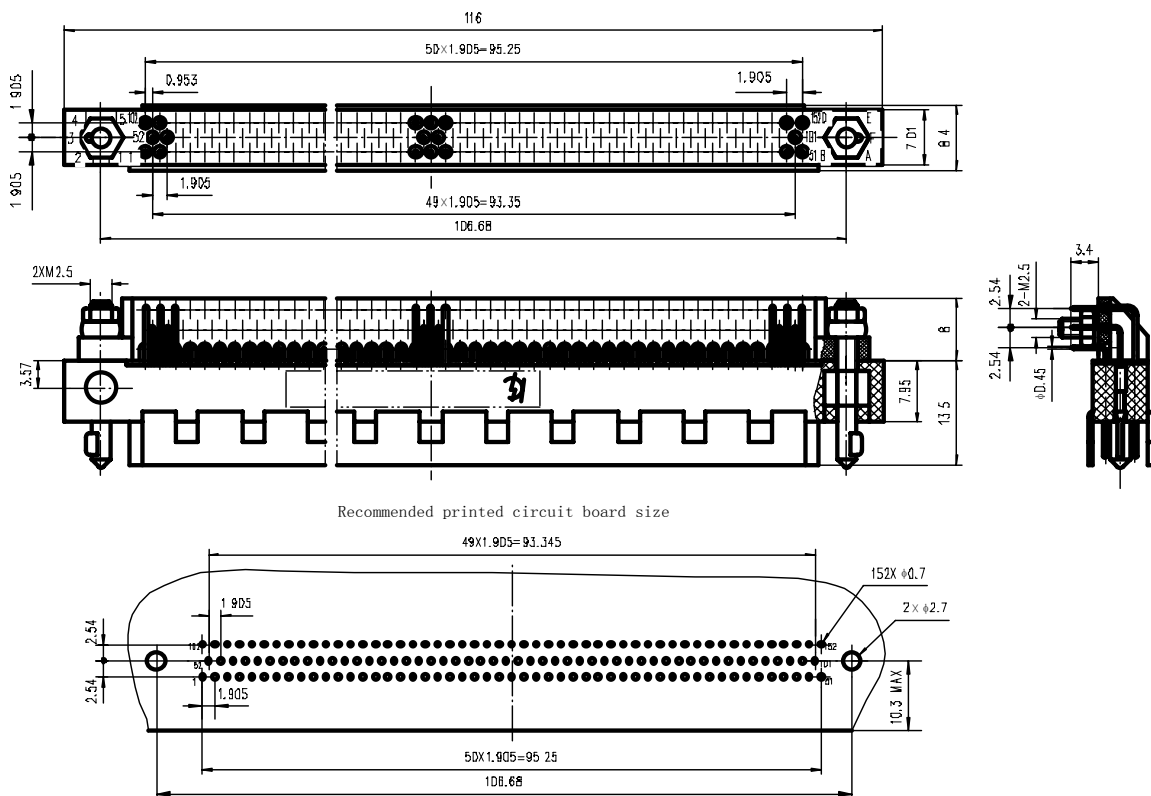
Recommended printed circuit board size



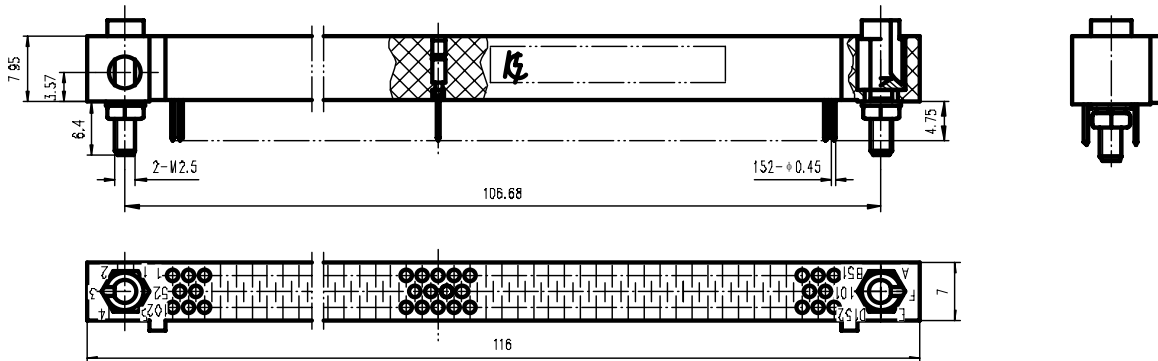
socket MF11Z110HJ04



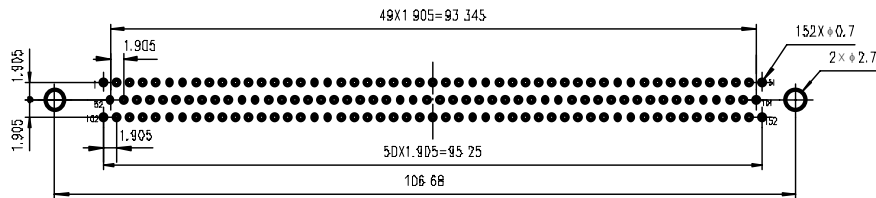
plug MF11T152WJ



socket MF11Z152BJ



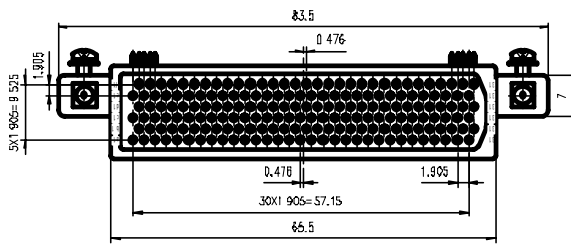
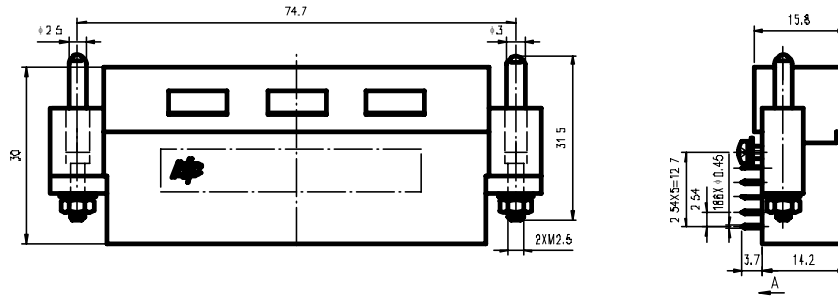
Recommended printed circuit board size



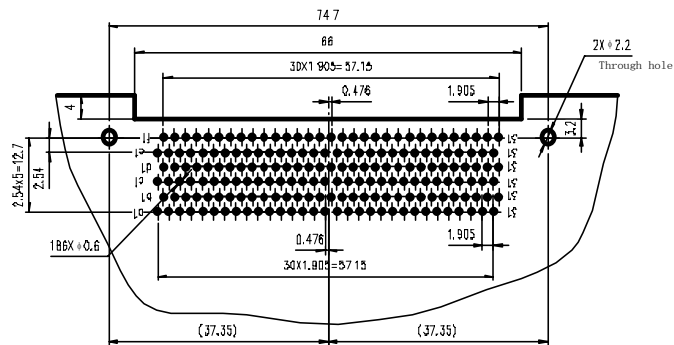




socket MF11P186WJ02

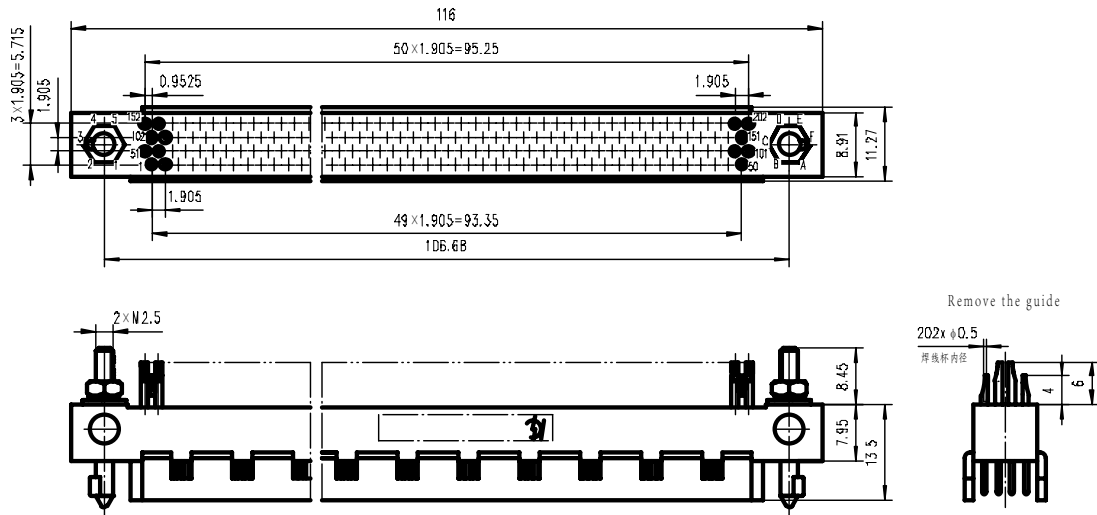


Recommended printed circuit board size (to A)

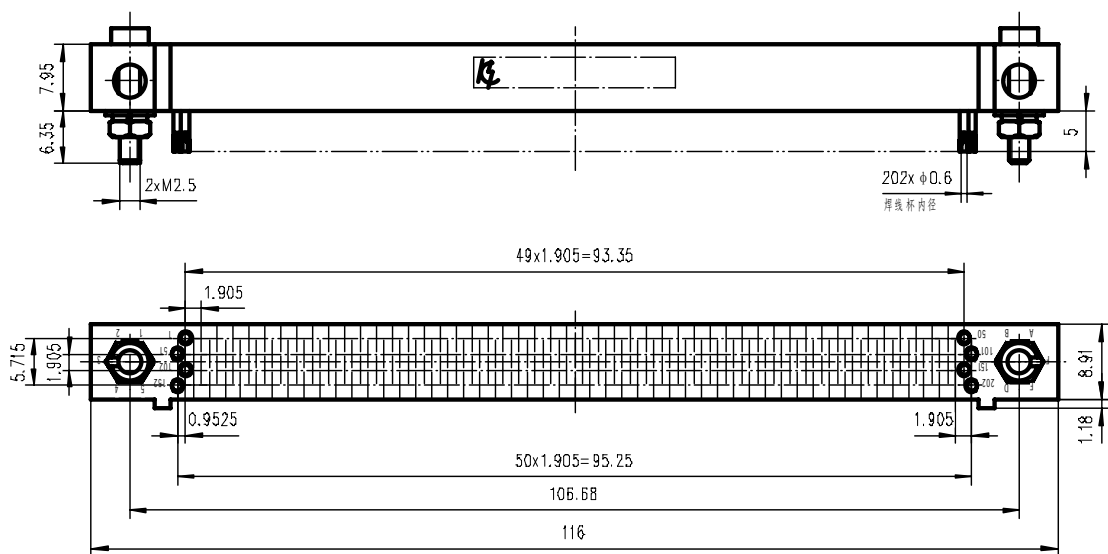




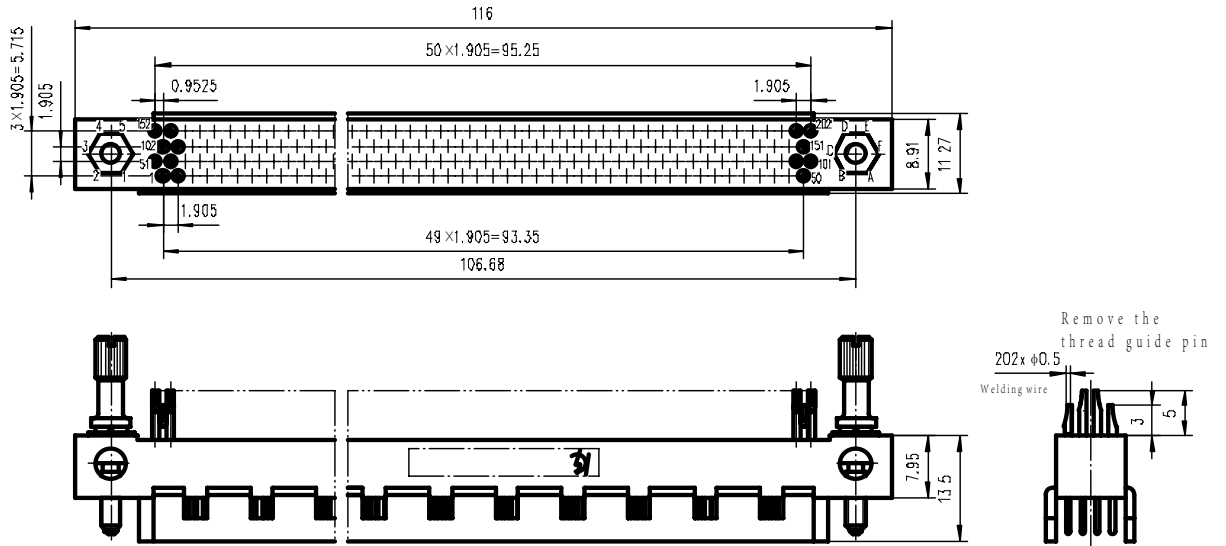
plug MF11T202HJ



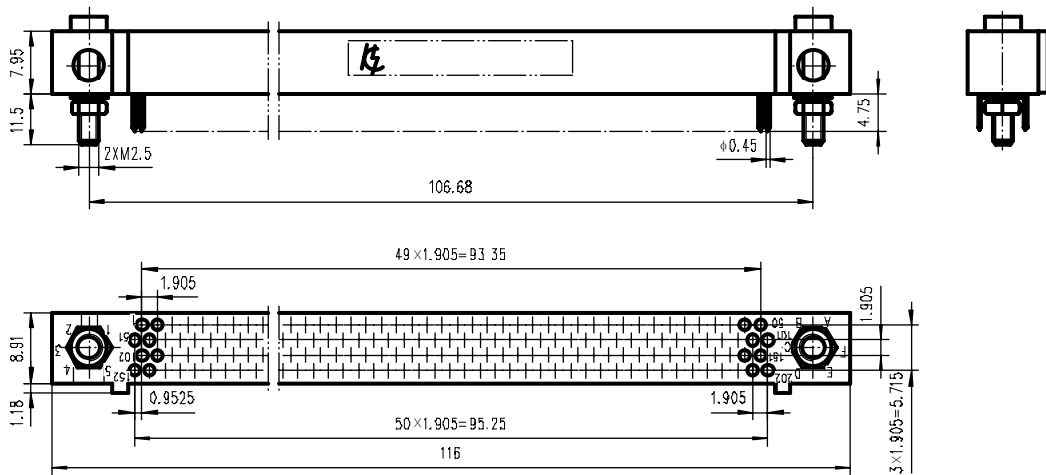
socket MF11Z202HJ



plug MF11T202HJ02



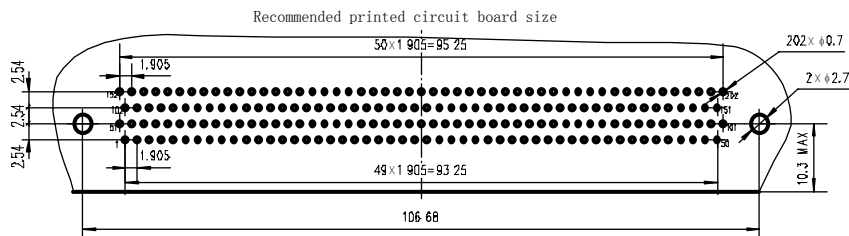
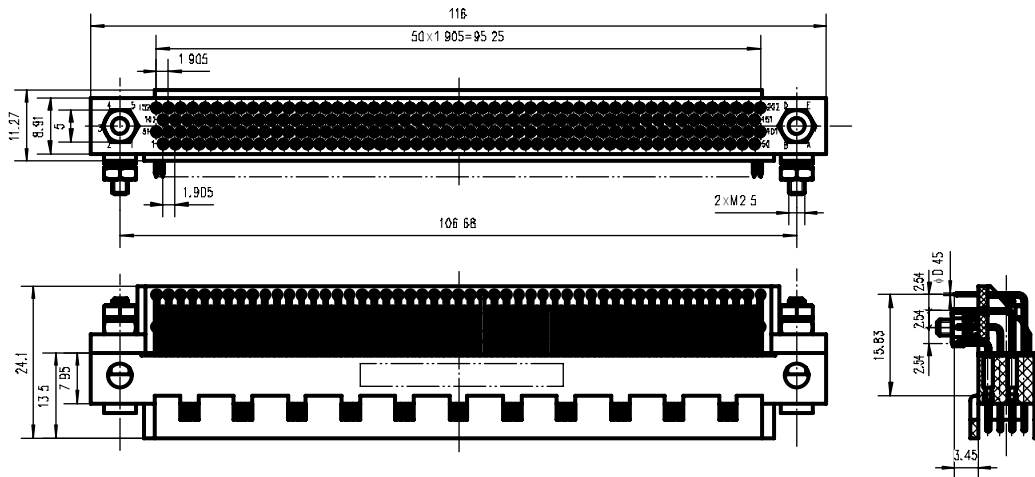
socket MF11Z202BJ02



Head with thread guide pin guide sleeve, plug can be achieved after locking.



plug MF11T202WJ04



socket MF11Z202HJ04

