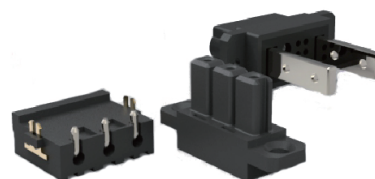


Professional, reliable, high-end

EB58 series connector

Brief introduction

- High power connector, designed for 2U×2U Rectifier module, provide the DC output for the module
- High density power connector, meet power connector standard
- Support different signal transmission
- The receptacle has different wiring types
- Long & short pin design, support hot-line push and pull
- RoHS compliant, meet UL, CUL probe proof requirement, file number: E203642



Performance index

Vibration	10~500Hz, 98 m/s ²
Endurance	200 cycles
Operating temperature	-55℃ ~ +125℃
Relative humidity	90%~95% at 40℃
Rating voltage	According to different products: 76V~250V
Rating current	12#:35A
Contact resistance	12# ≤1mΩ
Insulation resistance	Normal ≥1000MΩ; Damp heat ≥20MΩ

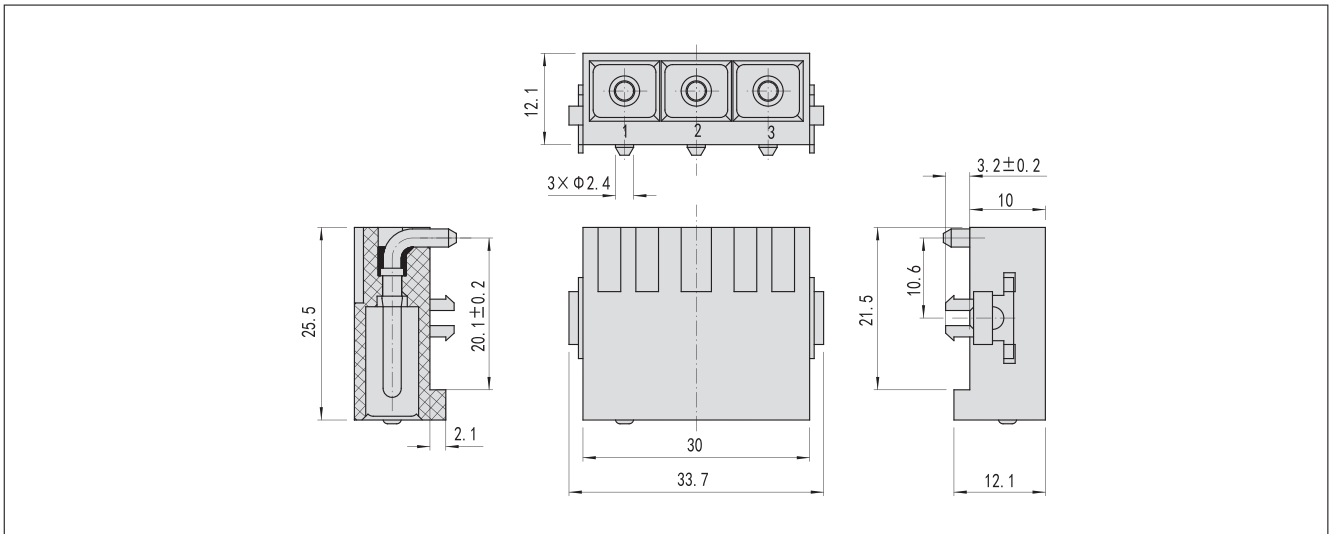
Ordering information

Basic series	EB58	-	XX	X	-	XX	AXXX
Separator	Separator						
Contact number	1~99						
Structure	T-plug Z-receptacle						
Separator	Separator						
Alternative code	01~99						
Contacts not full filled	A001~A999						



Outline dimensions

EB58 -3T A001



EB58 -3T

