



MR11G-III series PCB Electrical Connector

Product Introduction

- With standard interval 2.54mm
- High environmental resistance and reliability, widely used in signal transmission of petroleum Industry
- Various contacts, with 2 rows and 3 rows
- Plug, receptacle can be both loaded with pin and socket



Main technical performance

[Mechanical performance]

—Vibration: 10~2000Hz 150 m/s²

—Shock: 1000m/s² 11ms

—Endurance : 500 cycles

[Environmental performance]

—Operating temperature: -55°C~+204°C

[Electrical performance]

—Current rating: 3A

—Withstanding voltage: 1000V

—Insulation resistance: ≥1000MΩ

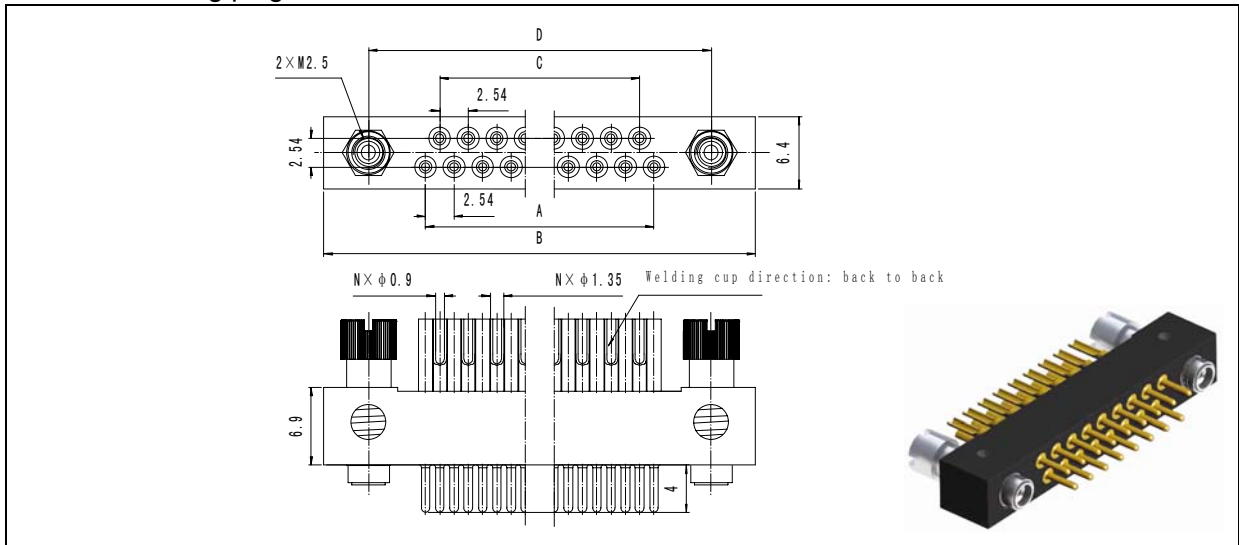
—contact resistance: ≤10mΩ

Ordering information

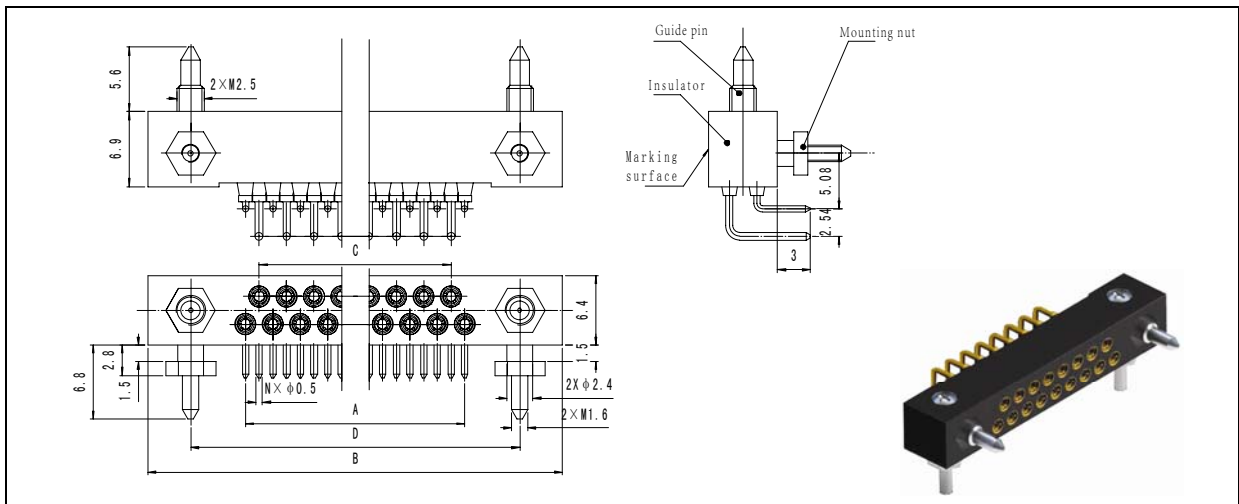
Basic series	MR11G-	27	T	J	III	H	J
cores	17, 26, 27, 29...						
plug and socket	T- plug Z- receptacle						
contact type	J- pin K- socket						
temperature rating	III- -55°C~+204°C						
termination format	H- soldered with soldering cups W- angle PCB soldering						
contact plating	J- golden plating omit-silver plating						
Alternative code	01, 02...						

Outline Dimension

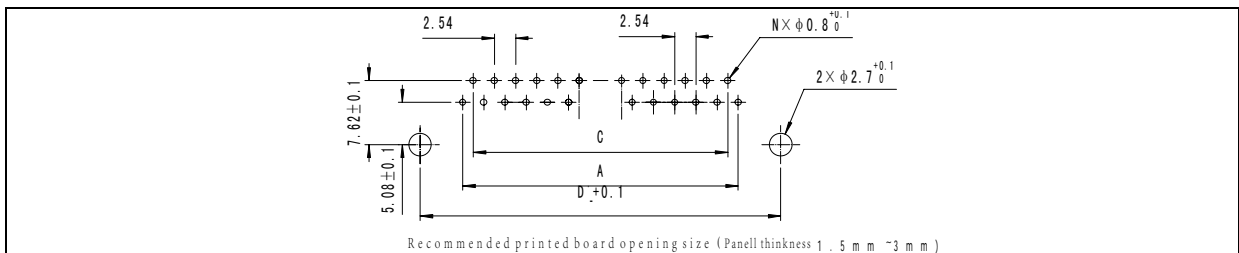
2 rows soldering plug (MR11G-17TJIIIHJ, MR11G-27TJIIIHJ)



2 rows angle PCB Receptacle (MR11G-17ZKIIIWJ, MR11G-27ZKIIIWJ)



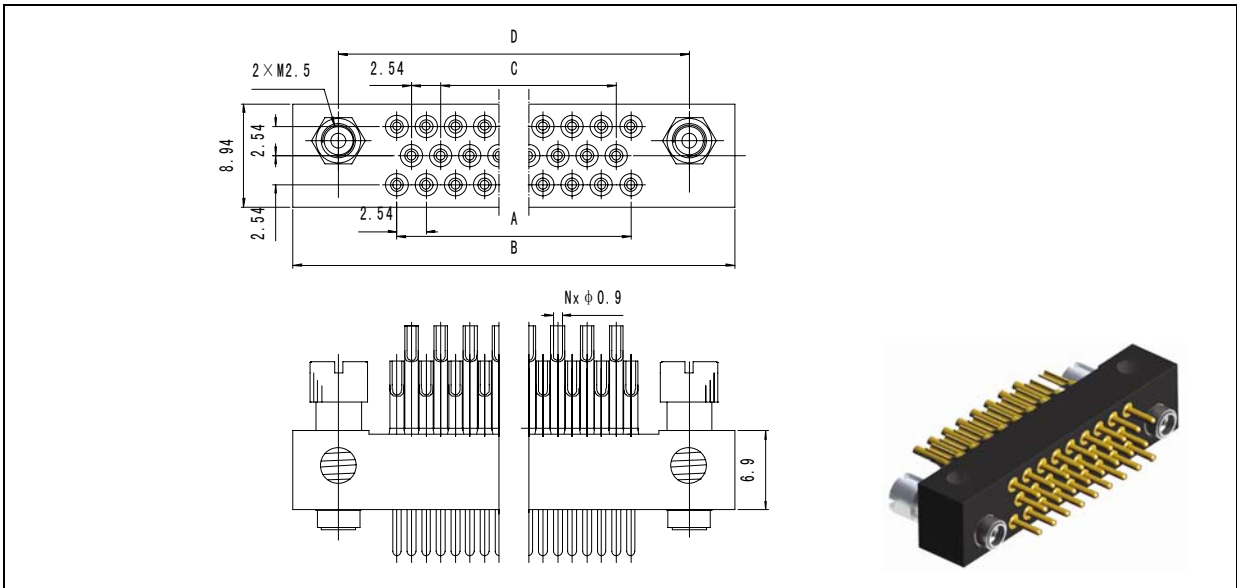
Recommended PCB Cut-out



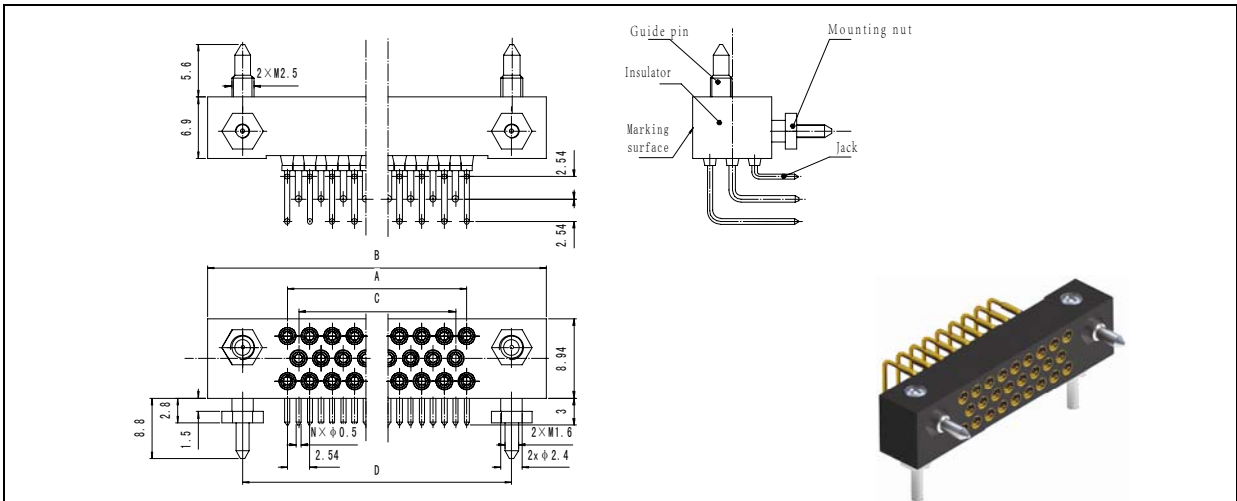
Part number	A	B	C	D	N
MR11G-17TJIIIHJ MR11G-17ZKIIIW	17.78	38.5	20.32	30.48	17
MR11G-27TJIIIHJ MR11G-27ZKIIIW	33.02	51.2	30.48	43.18	27

J

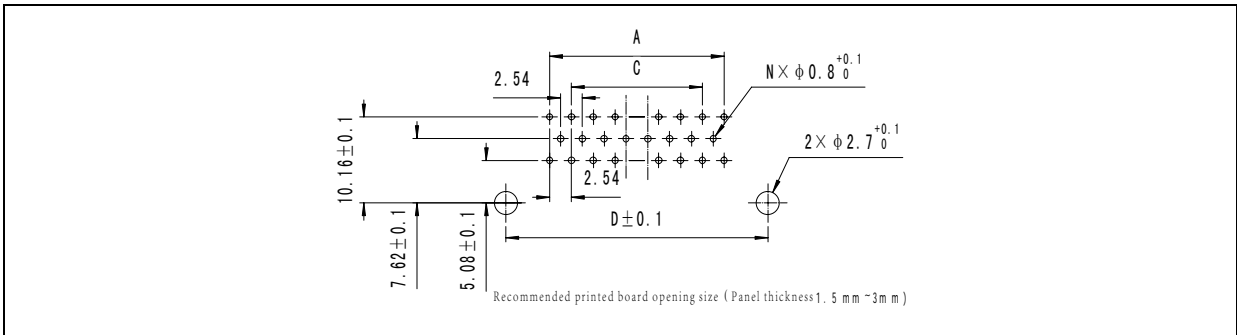
3 rows soldering plug (MR11G-17TJIIIHJ-01, MR11G-26TJIIIHJ)



3 rows angle PCB Receptacle (MR11G-17ZKIIIWJ-01, MR11G-26ZKIIIWJ)



Recommended PCB Cut-out



Part Number	A	B	C	D	N
MR11G-17TJIIIHJ-01 MR11G-17ZKIIIWJ-0	12.7	29	10.16	22	17
MR11G-27TJIIIHJ MR11G-27ZKIIIW	17.78	38.5	20.32	30.48	26